

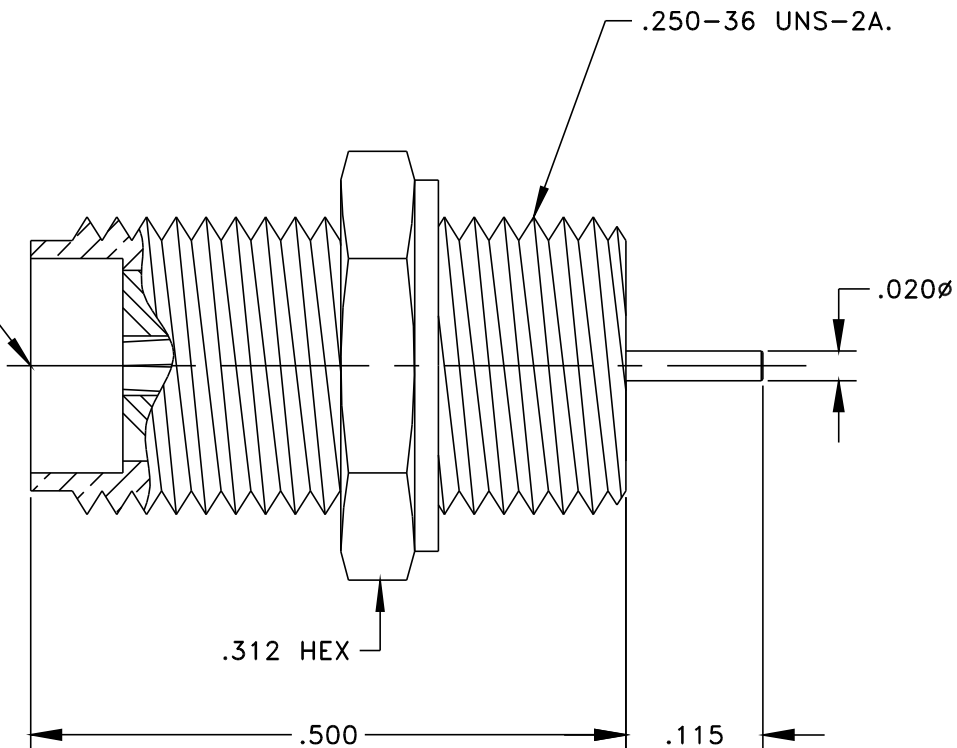
DASH #	BODY MATERIAL	BODY FINISH	CONTACT FINISH	
-1	STAINLESS STEEL	GOLD	GOLD	

THIS DOCUMENT CONTAINS PROPRIETARY INFORMATION & MAY NOT BE REPRODUCED OR DISCLOSED TO OTHERS WITHOUT WRITTEN CONSENT FROM CONNECTRONICS, INC.

SMA JACK INTERFACE PER MIL-STD-348.

NOTES:

- A.) AFTER SEALING, THIS ITEM SHALL WITHSTAND A PRESSURE DIFFERENTIAL OF ONE ATMOSPHERE WITH THE LEAK RATE NOT TO EXCEED 1×10^{-7} CC/SEC. OF HELIUM.
- B.) ELECTRICAL SPECS:
 - IMPEDANCE: 50 OHMS
 - DIELECTRIC WITHSTANDING VOLTAGE: 1000 V RMS MIN.
 - INSULATION RESISTANCE: 5000 MEGOHMS MIN.
 - VSWR(GHz): 1.05 + .01f
 - VOLTAGE RATING: 335 V RMS
 - TEMPERATURE RANGE: -65°C TO +165°C.



OUTLINE DRAWING

		FSCM 43608
		TOLERANCES UNLESS OTHERWISE SPECIFIED
DWG BY: RLC	DATE: 2/18/04	2 PL DEC $\pm .020$
APVD BY:	SCALE: _____	3 PL DEC $\pm .005$
MATERIAL: _____		ANG. DIM $\pm 1/2^\circ$
FINISH: _____		
DESCRIPTION: SMA JACK, HERMETIC SEAL		DRAWING NO. 42-703
		SHT 1 OF 1

REVISIONS	-A-
REV. LEVEL	