

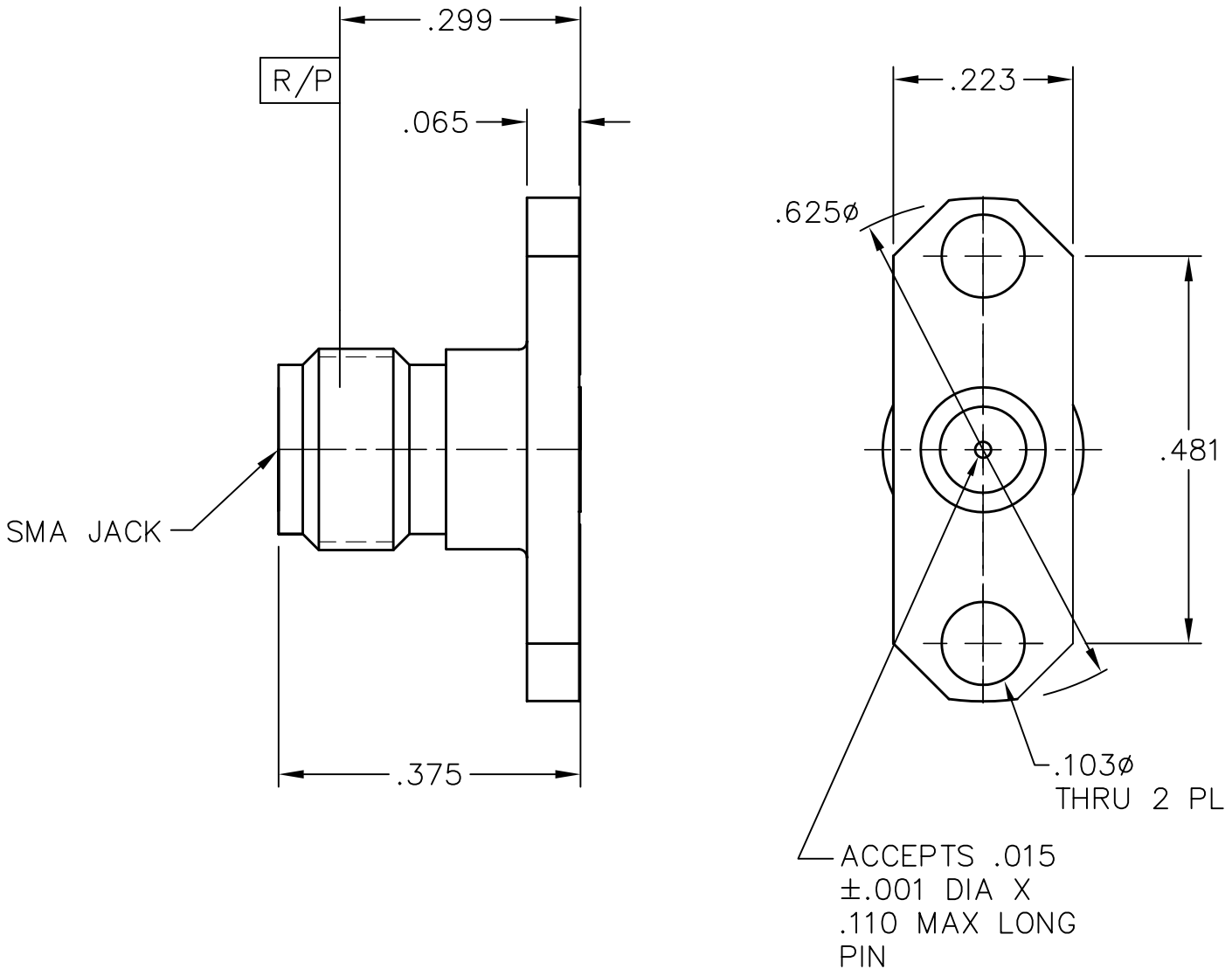
0216-575-3

MATERIAL AND FINISH

HOUSING: CRES 303; PASSIVATE

CENTER CONTACT: BeCu; GOLD PLATE 50-100 MICRONS OVER NICKEL PLATE 50 MICRONS MIN.

DIELECTRIC: VIRGIN PTFE



This drawing and any data contained herein is the property of Corning Gilbert Inc., and constitutes and contains proprietary and confidential information. Neither receipt nor possession of this drawing confers or transfers any right to duplicate, use or disclose any information contained herein except as expressly authorized by Corning Gilbert Inc.

SMA JACK 2 HOLE FLANGE MOUNT
(NON-EPOXY CAPTURE) (26.5 GHz)

IDENT CODE:
82316
REVISION: 01

Corning Gilbert Inc.

SOURCE FILE: -

DWG. NO.: OL-0216-575-3

ASSY. PROC.: -