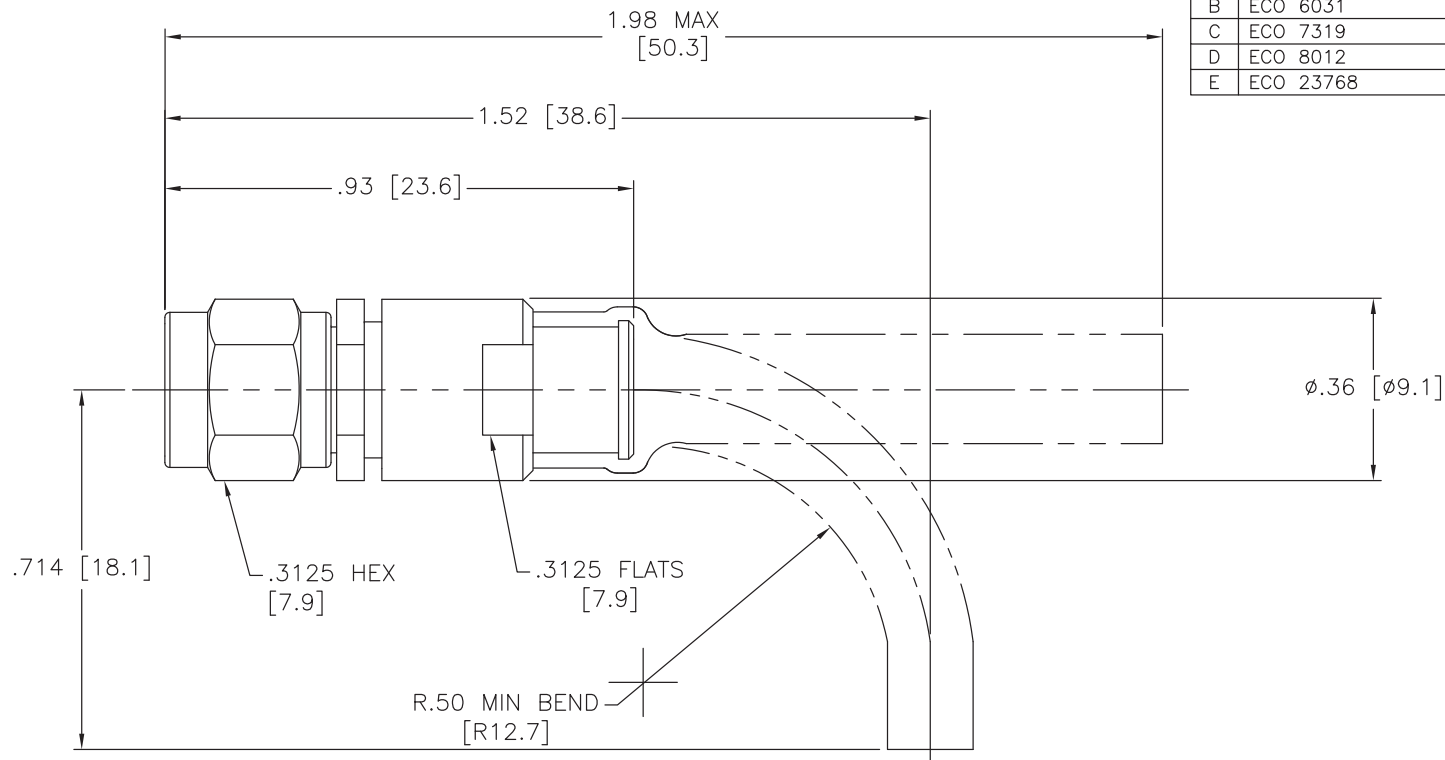


THE INFORMATION CONTAINED HEREON IS THE PROPERTY OF EMERSON NETWORK POWER. RECEIPT, POSSESSION OR TRANSMITTAL OF THIS DRAWING DOES NOT LICENSE OR IMPLY ANY RIGHT TO USE, SELL, PROTOTYPE OR MANUFACTURE FROM THIS INFORMATION. NO REPRODUCTIONS OR PUBLICATION OF THIS INFORMATION, IN WHOLE OR IN PART, SHALL BE MADE WITHOUT WRITTEN AUTHORIZATION FROM EMERSON NETWORK POWER.


DWG NO. 20483-111 SH 1

REVISIONS			
REV	DESCRIPTION	DATE	APPROVED
-	INITIAL RELEASE	93/03/29	L.PULOTU
A	ECO 3797		
B	ECO 6031	8/18/04	THIELE
C	ECO 7319	2/28/06	MCINTYRE
D	ECO 8012	12/10/09	T.CLARE
E	ECO 23768	8/26/11	M.CASURA



NOTES: OTHERWISE SPECIFIED.

1. REF: XSMA-C-P-STR-HP120-PF-SC-26-XXXXXXX.

SURFACE AREA (IN ²)	UNLESS OTHERWISE SPECIFIED DIMENSIONS ARE IN INCHES TOLERANCES ARE:			
	FRACTIONS ± .xx ± .01 ± 2°	DECIMALS ± .xxx ± .005		
MATERIAL	SIGNATURES	DATE	SMA PLUG TO HP120	
FINISH	DRAWN BY G. BISSONNETTE	93/08/12	SIZE B	CAGE CODE 60637
DO NOT SCALE DRAWING	CHECKED BY R. THIELE	93/03/25	DWG NO. 20483-111	REV E
	APPROVED BY S. HARDIN	93/03/26	SCALE 4=1	SHEET 1 OF 2
	APPROVED BY C. MENNERICK	93/03/26		