

NOTES:

20-041-1523-00

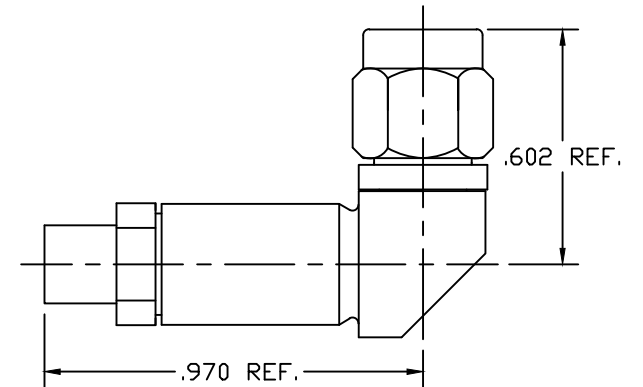
Materials: SST. corrosion-resistant, Non Magnetic 303, per ASTM A484 and A582. Beryllium Copper per ASTM-B-196, QQ-C-530 PTFE Fluorocarbon per ASTM-D-1710

Finish: Center Conductors and solder components shall be plated per MIL-G-45204 Type II, Class 1 over Nickel plate per QQ-N-290. Body and Body components shall be passivated per ASTM A380.

Frequency: DC-27 GHz

VSWR:  $1.05 + .005 \times \text{Frequency}$

Insertion Loss:  $.05 \sqrt{\text{Frequency}}$



|     |             |       |       |  |            |                |  |                |
|-----|-------------|-------|-------|--|------------|----------------|--|----------------|
| LTR | DESCRIPTION | DATE  | APPR. | DRAWN LMW  | CHECKED    | USED ON        | SRI CONNECTOR GAGE CO.<br>751 NORTH DRIVE<br>MELBOURNE FL. 32934 |                |
| -   | REL         | 01/00 |       | APPR.  | SCALE      | 20-041-1523-00 | TITLE  |                |
|     |             |       |       | UNLESS OTHERWISE SPECIFIED:<br>1. REMOVE ALL BURRS<br>2. BREAK ALL CORNERS & EDGES .005 R. MAX<br>3. CHAMFER 1st & LAST THREADS 45°<br>4. SURFACE FINISHED 32√ UNLESS OTHERWISE SPECIFIED.<br>5. DIAMETERS ON COMMON CENTERS TO BE CONCENTRIC WITHIN .002 T.I.R.<br>6. ALL DIMENSIONS ARE AFTER PLATING. |            | MATERIAL       | SMA PLUG R/A<br>TO LL120 CABLE                                   |                |
|     |             |       |       | DIMENSIONS ARE IN INCHES<br>TOLERANCES   |            | FINISH         |  |                |
|     |             |       |       | DECIMALS   | FRACTIONAL | ANGULAR        | SIZE   | FSCM NO.       |
|     |             |       |       | .X ±.030   |            | .X° ±1°0'      | A  | OHMO1          |
|     |             |       |       | .XX ±.010  | ± 1/64     | .X'X' ±15'     |  |                |
|     |             |       |       | .XXX ±.005   |            |                |  |                |
|     |             |       |       |  |            |                | SHEET  | DWG. NO.       |
|     |             |       |       |  |            |                | 1  | 20-041-1523-00 |