

SMA Cable Plugs for Flexible Cable

Click on part number to go directly to cable assembly instructions

Right Angle Plugs

Right Angle Plug

- Captive contact

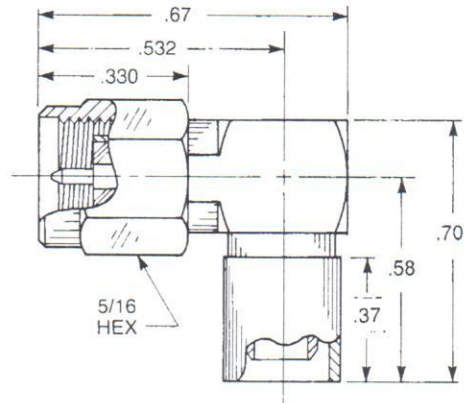
Crimp type:

9043-1523-0XX (Gold plated)

9043-9523-0XX (Passivated)

Solder type:

9043-1533-0XX (Gold plated)



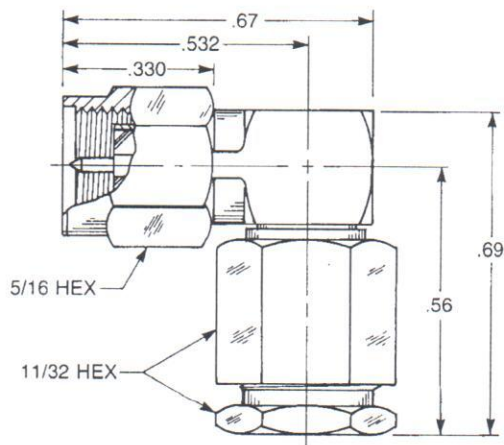
Right Angle Plug

- Captive contact

Clamp type:

9243-1553-0XX (Gold plated)

9243-9553-0XX (Passivated)



Substitute the appropriate cable group number for "XX" when ordering:

GROUP	CABLE TYPES	GROUP	CABLE TYPES	GROUP	CABLE TYPES
01	RG142, RG223, M17/60, M17/84, M17/158	04	RG180, RG195, M17/95	06	RG58, RG141, RG303, M17/111, M17/155
02	RG178, RG196, M17/93, M17/169			19	RG174DS, RG316DS, M17/151, M17/152, Times RD-316
03	RG174, RG179, RG316, M17/113, M17/119, M17/172, M17/189	05	RG178DS, RG196DS		



APPLIED ENGINEERING PRODUCTS

(203) 776-2813 • FAX (203) 776-8294

www.aepconnectors.com • aepsales@aepconnectors.com