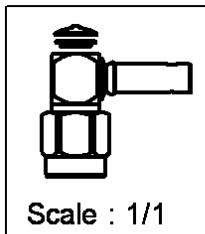
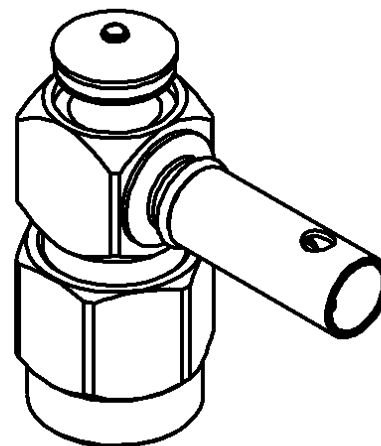
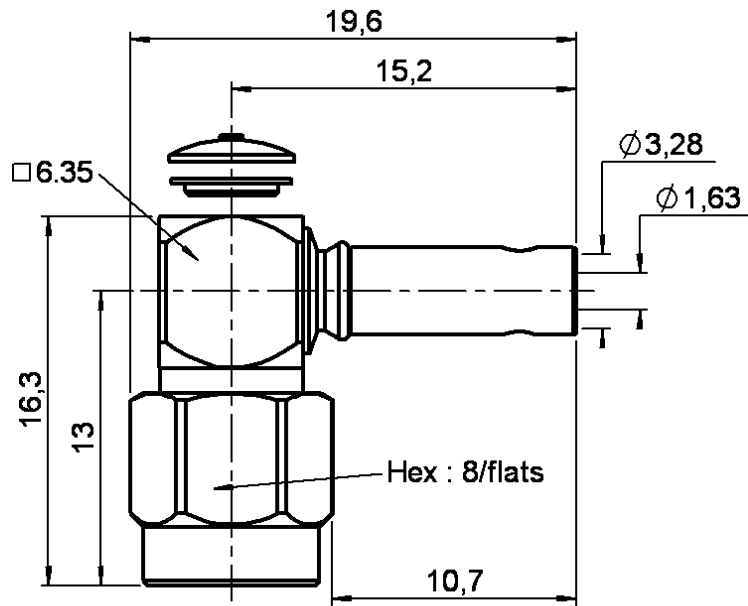


RIGHT ANGLE PLUG CRIMP TYPE

R125.172.001

CABLE 2.6/50 S

Series : SMA



All dimensions are in mm.

COMPONENTS	MATERIALS	PLATING
BODY	STAINLESS STEEL	PASSIVATED . μm
CENTRE CONTACT	BRASS	GOLD 0.5 OVER NICKEL 2 μm
OUTER CONTACT	-	- μm
INSULATOR	PTFE	
GASKET	SILICONE RUBBER	
OTHERS PARTS	STAINLESS STEEL	PASSIVATED . μm
-	-	-
-	-	-



Edition : 9840 R

Design changes may be in order to improve the product.

RIGHT ANGLE PLUG CRIMP TYPE

R125.172.001

CABLE 2.6/50 S

Series : SMA

ELECTRICAL CHARACTERISTICS

Impedance **50** Ω
 Frequency **0-12.4** GHz
 VSWR **1.15 + 0.030** x F(GHz) Maxi
 Insertion loss **0.15** √F(GHz) dB
 RF leakage - (**60** - F(GHz)) dB mini
 Operating temperature **-65/+165** °C
 Voltage rating **250** Veff Maxi
 Dielectric withstanding **750** Veff mini
 Insulation resistance **5000** MΩ mini

SPECIFICATION

Stripping	a	b	c	d	e	f
mm	2.80	7.00	12.8	0.00	10.0	0.00

Assembly instruction : **Crimp 04**

Recommended cables
 RG 316
 KX 22A
 RG 188

Cable retention
 - pull off **90** N mini
 - torque **NA** N.cm

MECHANICAL CHARACTERISTICS

Centre contact retention
 Axial force – Mating end **27** N mini
 Axial force – Opposite end **27** N mini
 Torque **2.8** N.cm mini

TOOLING

Part Number	Description	Hexagon
.	.	.
R282.235.003	CRIMPING DIES	3.25
R282.271.000	CRIMPING TOOL	3.25
R282.293.000	CRIMPING TOOL	-

Recommended torque
 Mating **100** N.cm
 Panel nut **NA** N.cm
 Clamp nut **NA** N.cm
 A/F clamp nut **0.000** mm

Mating life **500** Cycles mini
 Weight **0.000** g

OTHERS CHARACTERISTICS

-

ENVIRONMENTAL

Hermetic seal **NA** Atm.cm3/s
 Leakage – pressurised only **NA** Mpa



Edition : 9840 R

Design changes may be in order to improve the product.