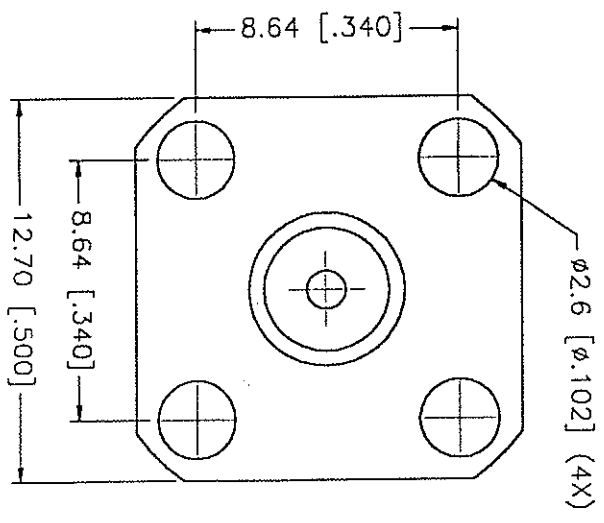
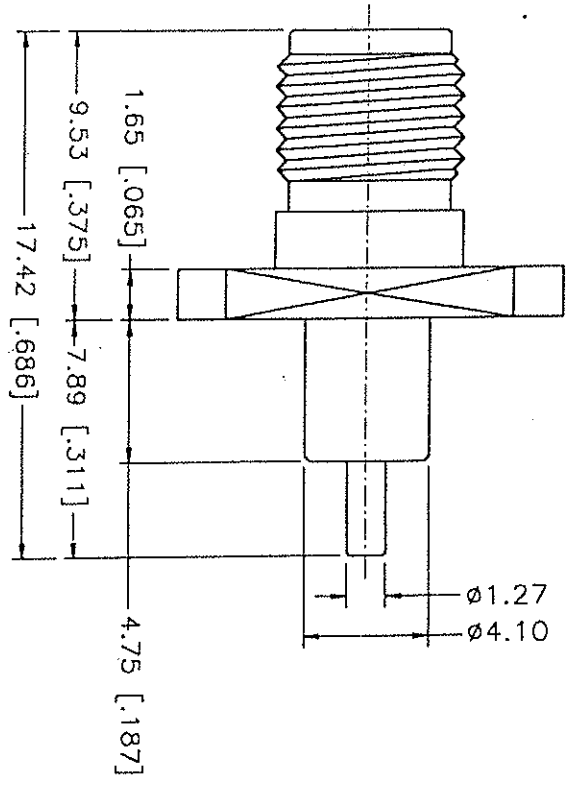


REV.	DATE	DESCRIPTION
NC	02/11/98	INITIAL RELEASE



REFERENCE: W50130-007

DESCRIPTION	MATERIAL	FINISH	UNLESS OTHERWISE SPECIFIED DIMENSIONS ARE IN MILLIMETERS DIMENSIONS IN () ARE IN INCHES FOR CUSTOMER REFERENCE ONLY	APPROVALS	DATE	TITLE	SIZE	FSCM NO.	DWG. NO.	REV.
1 BODY	BRASS	GOLD	UNLESS OTHERWISE SPECIFIED DIMENSIONS ARE IN MILLIMETERS AND TOLERANCES FOR MILLIMETERS ARE: 0.5-6 = ± 0.2 6-30 = ± 0.4 30-120 = ± 0.6 120-315 = ± 1 315-1000 = ± 1.6 1000-2000 = ± 2.4	DRAWN	02/11/98	SMA FOUR (4) HOLE FLANGE RECEPTACLE (4.75-7.89)	A	99001	132226.DWG	NC
2 INSULATOR	TEFLON	NATURAL		CHECKED	G.R.S.					
3 CONTACT PIN	BER. COPPER	GOLD		ISSUED						
4										
5										
6										
7										
8										



DO NOT SCALE DRAWING

SCALE NA PART NO. 132226 SHEET 1 OF 1