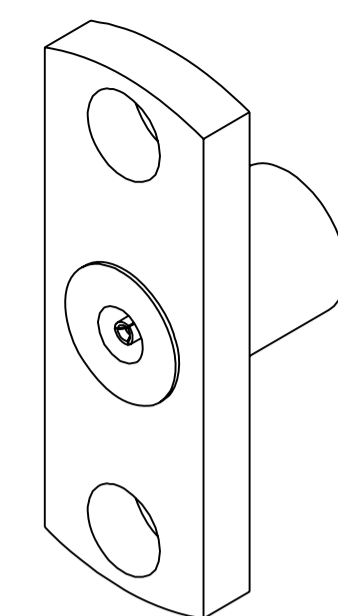
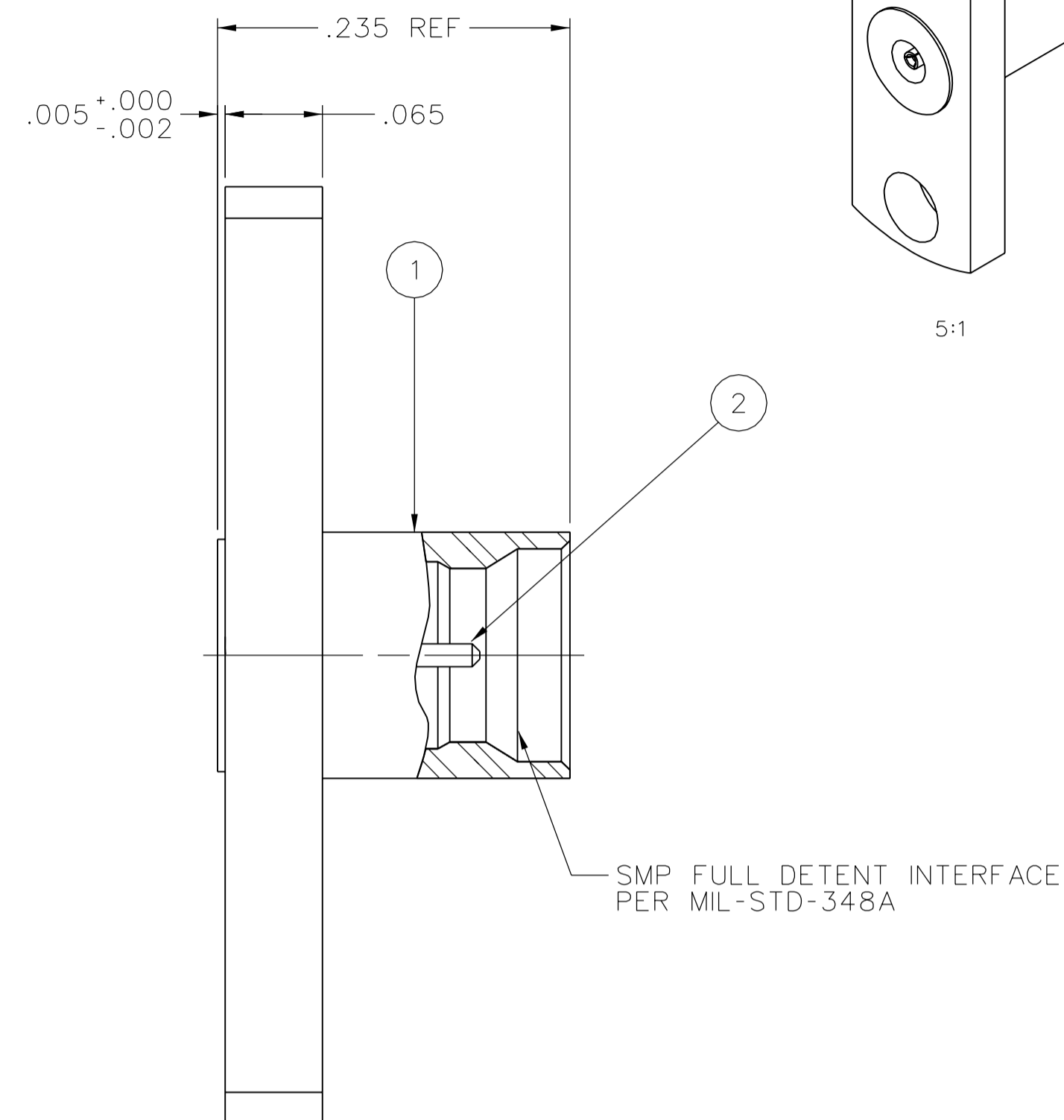
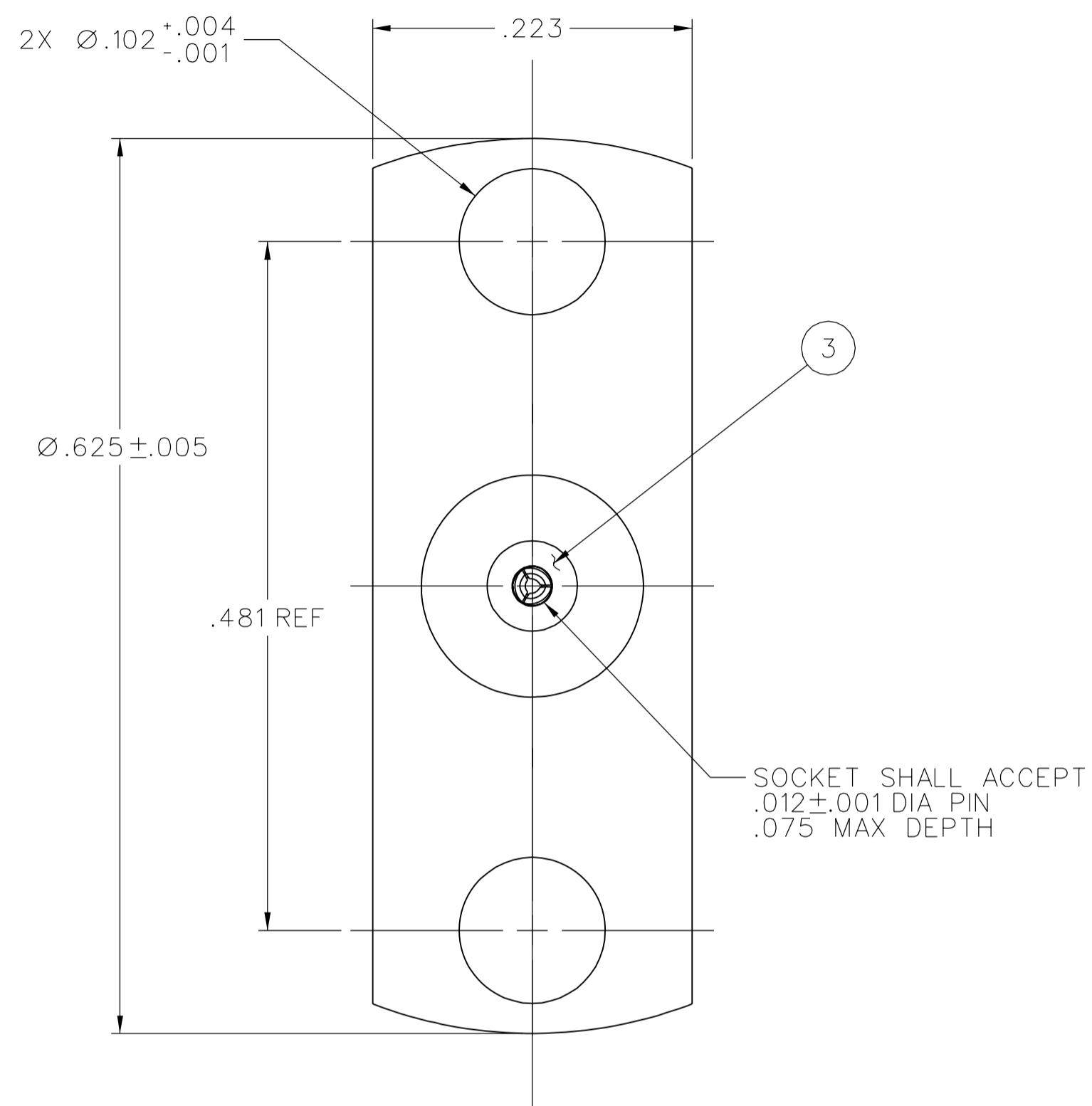


PART NUMBER 127-0701-612	ITEM ① BODY STAINLESS STEEL PASSIVATE	ITEM ② CONTACT BERYLLIUM COPPER GOLD PL .00005 MIN OVER NICKEL PL .00005 MIN OVER COPPER PL .00005 MIN	ITEM ③ INSULATOR TEFLON
-----------------------------	--	---	-------------------------------

DRAWING NO. C - 127-0701-611/620	
0	REVISIONS
ENGINEERING RELEASE	
1	6-20-07 PAT JRK MJD PDW JCN 6-21-07 ECN 51094



NOTES:

1. SPECIFICATIONS:

IMPEDENCE: 50 OHMS NOMINAL
 FREQUENCY RANGE: 0-18 GHz
 VSWR: DEPENDANT UPON APPLICATION, TYPICALLY < 1.15
 WORKING VOLTAGE: 335 VRMS MAX AT SEA LEVEL
 DIELECTRIC WITHSTANDING VOLTAGE: 500 VRMS MIN AT SEA LEVEL
 INSULATION RESISTANCE: 5000 MEGOHM MIN
 CONTACT RESISTANCE:
 CENTER CONTACT - INITIAL 6.0 MILLIOHM MAX, AFTER ENVIRONMENTAL NOT APPLICABLE
 OUTER CONDUCTOR - INITIAL 2.0 MILLIOHM MAX, AFTER ENVIRONMENTAL NOT APPLICABLE
 INSERTION LOSS: $0.10\sqrt{F}$ (GHz) dB MAX, TESTED AT 10 GHz
 CORONA LEVEL: 190 VOLTS MIN AT 70,000 FEET
 RF LEAKAGE: -80 dB TYPICAL, TESTED AT 2.5 GHz
 RF HIGH POTENTIAL WITHSTANDING VOLTAGE: 325 VRMS MIN AT 4 AND 7 MHz

MECHANICAL:

INTERFACE DESIGN: IN ACCORDANCE WITH MIL-STD-348A, SERIES SMP
 ENGAGEMENT FORCE: 15.0 LBS MAX
 DISENGAGEMENT FORCE: 5.0 LBS MIN
 CONTACT RETENTION: 1.5 LBS MIN AXIAL FORCE
 DURABILITY: 100 CYCLES MIN (SMP INTERFACE ONLY)

ENVIRONMENTAL:

(MEETS OR EXCEEDS THE APPLICABLE PARAGRAPH OF DSCC DWG NO. 94007)
 OPERATING TEMPERATURE: -65°C TO 165°C
 THERMAL SHOCK: MIL-STD-202, METHOD 107, CONDITION B, EXCEPT 165°C HIGH TEMP
 MECHANICAL SHOCK: MIL-STD-202, METHOD 213, CONDITION I
 CORROSION: MIL-STD-202, METHOD 101, CONDITION B
 VIBRATION: MIL-STD-202, METHOD 204, CONDITION D
 MOISTURE RESISTANCE: MIL-STD-202, METHOD 106, EXCEPT STEP 7B OMITTED

THIS DRAWING TO BE INTERPRETED
PER ASME Y 14.5M - 1994

"μSTATION"

COMPANY CONFIDENTIAL

TOLERANCE UNLESS OTHERWISE SPECIFIED		DRAWN BY PAT	DATE 4-9-07	Connectivity Solutions P.O. Box 1732 Waseca, MN 56093 1-800-247-8256
DECIMALS	mm	CHECKED BY JRK	DATE 6-20-07	
.XX	_____	APPROVED BY PDW	DATE 6-21-07	TITLE SMP FULL DETENT FIELD REPLACEABLE
.XXX ±.003	_____	RELEASE DATE	6-21-07	SHEET 2 OF 2
MATL	_____	U/M	INCH	DRAWING NO. C - 127-0701-611/620
FINISH	_____	SCALE	10:1	