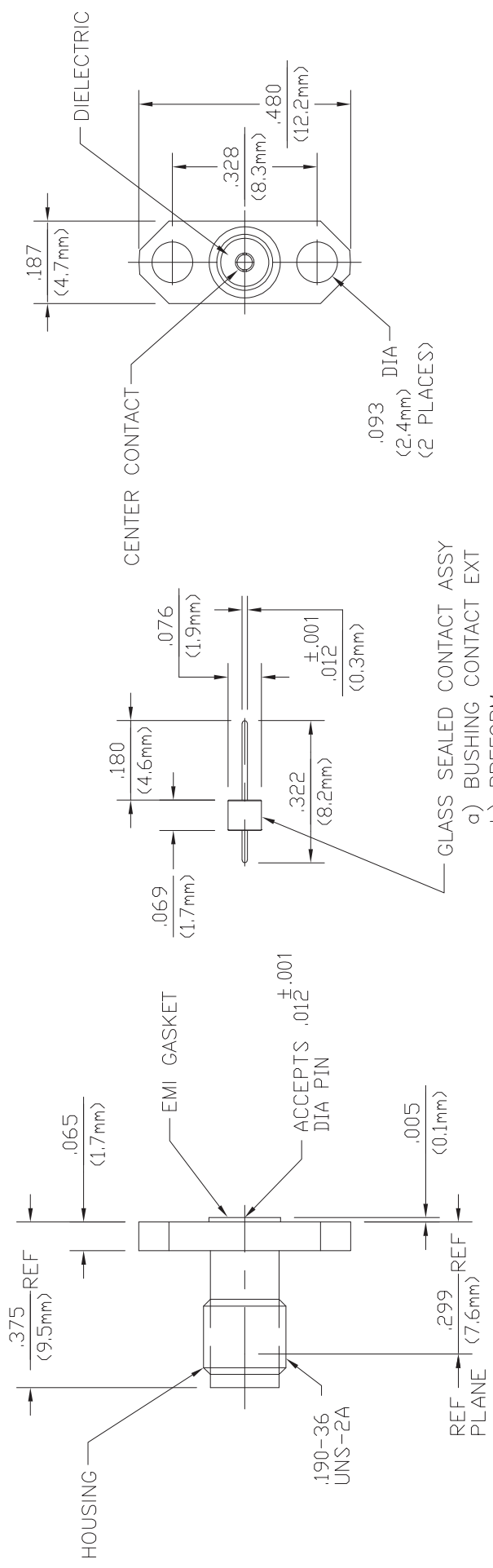


THIS DRAWING IS UNPUBLISHED.
 © COPYRIGHT BY TYCO ELECTRONICS CORPORATION. ALL RIGHTS RESERVED.
 RELEASED FOR PUBLICATION

REVOLUTIONS		DATE	UN	APP
DF	—	06FEB06	PY	FB
P	LINK	REV PER	ECO-06	002431
B				



GLASS SEALED CONTACT ASSY
 a) BUSHING CONTACT EXT
 b) PREFORM
 (FOR 1045598-1 ONLY)

HOUSING	STAINLESS STEEL PER ASTM-A484 AND ASTM-A582, TYPE 303	PASSIVATE PER QQ-P-35
DIELECTRIC	TFE FLUOROCARBON PER ASTM-D-1457	N/A
CENTER CONTACT	BERYLLIUM COPPER PER ASTM-196, ALLOY C17300, CONDITION H	GOLD PLATE PER MIL-G-45204
BUSHING CONTACT EXT	IRON-NICKEL-COBALT ALLOY PER MIL-I-23011 CLASS 1 (KQVAR)	GOLD PLATE PER MIL-G-45204
EMI GASKET	CONDUCTIVE ELASTOMERS PER MIL-G-83528	N/A
PREFORM	GLASS	N/A
COMPONENT	MATERIAL	FINISH

WITHOUT GLASS SEALED CONTACT ASSY	1045598-2
W/GLASS SEALED CONTACT ASSY	1045598-1
DESCRIPTION	PART NO

THIS DRAWING IS A CONTROLLED DOCUMENT.

DESIGNER: P. YEAGER	DATE: 17JAN06
CHECKED: L. BLASICK	DATE: 17JAN06
APPROVED: F. BLASICK	DATE: 17JAN06
PRODUCT SPEC	APPLICATION SPEC
WEIGHT	SIZE
SEE TABLE	SEE TABLE
FINISH	FINISH
ANGLES	ANGLES
± .1	± .1
± .005	± .005
± .012	± .012
± .001	± .001
± .001	± .001

MATERIAL: SEE TABLE

SCALE: 6:1

CUSTOMER DRAWING

TYCO ELECTRONICS CORPORATION
 HARRISBURG, PA 17105-3608

OSSM JACK, TWO HOLE FLANGE MOUNT
 FOR .012 DIA PIN

SIZE: A2
 CASE CODE: 00779
 DRAWING NO: 1045598

RESTRICTED TO: —

1 OF 1 SHEET