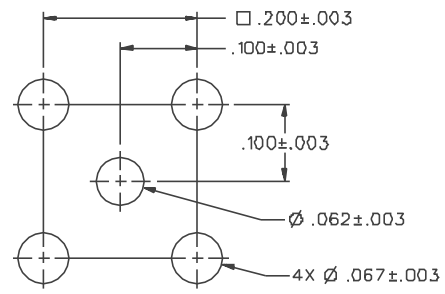


PART NUMBER	ITEM ① BODY	ITEM ② BASE	ITEM ③ CONTACT (ONE PIECE)	ITEM ④ INSULATOR	ITEM ⑤ INSULATOR
142-0701-3D1	BRASS GOLD PL .00001 MIN OVER NICKEL PL .00005 MIN OVER COPPER PL .00005 MIN	BRASS GOLD PL .00001 MIN OVER NICKEL PL .00005 MIN OVER COPPER PL .00005 MIN	BERYLLIUM COPPER GOLD PL .00003 MIN OVER NICKEL PL .00005 MIN OVER COPPER PL .00005 MIN	TEFLON	TEFLON
142-0701-3D2	BRASS GOLD PL .00005 MIN OVER COPPER PL .00005 MIN	BRASS SILVER PL .00005 MIN OVER COPPER PL .00005 MIN	BERYLLIUM COPPER GOLD PL .00003 MIN OVER COPPER PL .00005 MIN	TEFLON	TEFLON
142-0701-3D4	BRASS SILVER PL .00005 MIN OVER COPPER PL .000075 MIN	BRASS SILVER PL .00005 MIN OVER COPPER PL .000075 MIN	BERYLLIUM COPPER SILVER PL .00005 MIN OVER COPPER PL .000075 MIN	TEFLON	TEFLON
142-0701-3D5	COPPER SILVER PL .00005 MIN OVER COPPER PL .000075 MIN	COPPER SILVER PL .00005 MIN OVER COPPER PL .000075 MIN	BERYLLIUM COPPER SILVER PL .00005 MIN OVER COPPER PL .000075 MIN	TEFLON	TEFLON
142-0701-3D6	BRASS NICKEL PL .0001 MIN OVER COPPER PL .00005 MIN	BRASS NICKEL PL .0001 MIN OVER COPPER PL .00005 MIN	BERYLLIUM COPPER GOLD PL .00003 MIN OVER NICKEL PL .00005 MIN OVER COPPER PL .00005 MIN	TEFLON	TEFLON
142-0701-3D7	BRASS NICKEL PL .0001 MIN OVER COPPER PL .00005 MIN	BRASS NICKEL PL .0001 MIN OVER COPPER PL .00005 MIN ²	BERYLLIUM COPPER GOLD PL .00003 MIN OVER NICKEL PL .00005 MIN OVER COPPER PL .00005 MIN	TEFLON	TEFLON
142-0701-3D8	BRASS NICKEL PL .0001 MIN OVER COPPER PL .00005 MIN	BRASS NICKEL PL .0001 MIN OVER COPPER PL .00005 MIN TIN/LEAD DIPPED TERMINALS	BERYLLIUM COPPER GOLD PL .00003 MIN OVER NICKEL PL .0001 MIN OVER COPPER PL .00005 MIN	TEFLON	TEFLON

DRAWING NO. C - 142-0701-301/310	
0 REVISIONS	
REVISED AND REDRAWN. DRAWING WAS "D" SIZE DATED 2-22-88. CHANGED: P/N 142-0701-301/310 WAS 142-0701-301/32D, SPLIT INTO 2 SEPARATE DRAWINGS. ADDED: P/N 142-0701-307, NOTE 2	
9a	6-21-95 R H A ECN 43483
VERSION UPDATE	
9b	7-10-96 R H A ECN 44124
CHANGED: UPDATED GRAPHICS	
9c	9-21-97 R H A ECN 44927
CHANGED: UPDATED GRAPHICS	
9d	9-17-98 R H A ECN 45657
ADDED: .000 MAX PROJECTION .015 MAX RECESSION INSULATOR TO BODY	
9e	3-8-99 R H A ECN 46113
ADDED: P/N 142-0701-305	
* REVISION NUMBER FOLLOWED BY AN ALPHA *	
* CHARACTER INDICATES DRAWING CLARITY *	
* CAUTION ON PART NUMBER ADDITION ONLY. *	
9f	2-17-00 R H A ECN 46454

.000 MAX PROJECTION
.015 MAX RECESSION
INSULATOR TO BODY

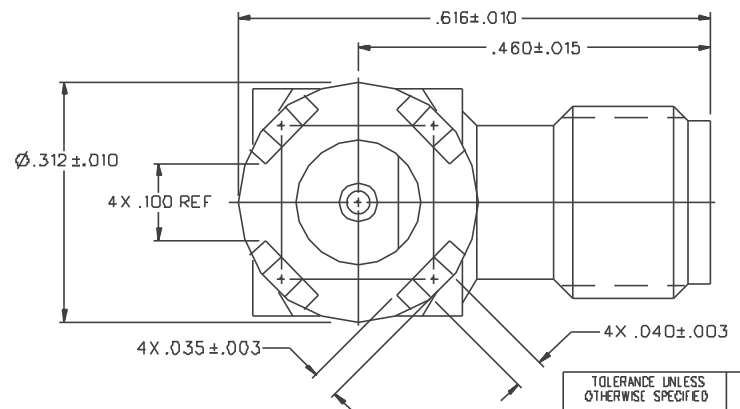
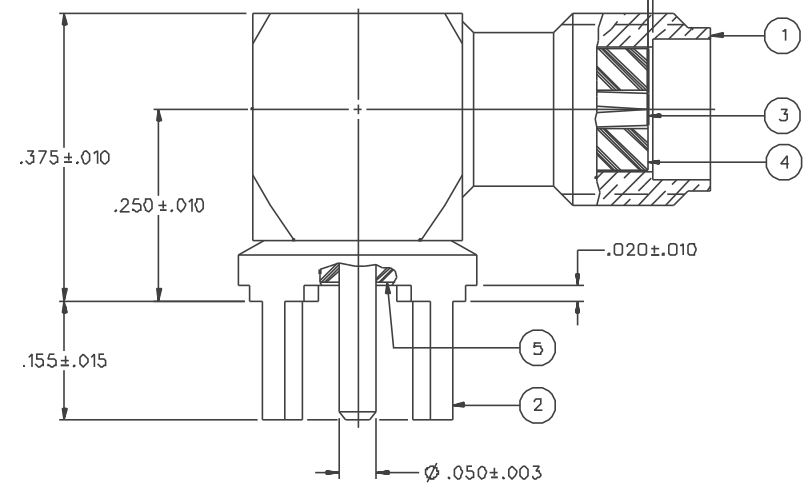
.000 MAX PROJECTION
.020 MAX RECESSION
CONTACT TO BODY



MOUNTING HOLE LAYOUT

NOTES:

- SPECIFICATIONS:
 - IMPEDANCE: 50 OHMS
 - FREQUENCY RANGE: 0-18 GHZ
 - VSWR: NOT APPLICABLE
 - WORKING VOLTAGE: 335 VRMS MAX AT SEA LEVEL
 - DIELECTRIC WITHSTANDING VOLTAGE: 1000 VRMS MIN AT SEA LEVEL
 - INSULATION RESISTANCE: 5000 MEGOHM MIN
 - CONTACT RESISTANCE:
 - CENTER CONTACT - INITIAL 3.0 MILLIOHM MAX, AFTER ENVIRONMENTAL 4.0 MILLIOHM MAX
 - OUTER CONDUCTOR - INITIAL 2.0 MILLIOHM MAX AFTER ENVIRONMENTAL NOT APPLICABLE
 - BRAND TO BODY - NOT APPLICABLE
 - CORONA LEVEL: 250 VOLTS MIN AT 70,000 FEET
 - INSERTION LOSS: NOT APPLICABLE
 - RF LEAKAGE: NOT APPLICABLE
 - RF HIGH POTENTIAL WITHSTANDING VOLTAGE: 670 VRMS AT 4 AND 7 MHZ MIN
- MECHANICAL:
 - ENGAGE/DISENGAGE TORQUE: 2 INCH-POUNDS MAX
 - MATING TORQUE: 7-10 INCH POUNDS
 - COUPLING PROOF TORQUE: 15 INCH-POUNDS MIN
 - COUPLING NUT RETENTION: NOT APPLICABLE
 - CONTACT RETENTION: 6 LBS MIN AXIAL FORCE
 - CABLE ACCEPTABILITY: NOT APPLICABLE
 - CABLE HEX CRIMP SIZE: NOT APPLICABLE
 - CABLE RETENTION: NOT APPLICABLE
 - DURABILITY: 500 CYCLES MIN
- ENVIRONMENTAL:
 - (MEETS OR EXCEEDS THE APPLICABLE PARAGRAPH OF MIL-C-39012)
 - THERMAL SHOCK: MIL-STD-202, METHOD 107, CONDITION B
 - OPERATING TEMPERATURE: -65 DEG C TO 165 DEG C
 - CORROSION: MIL-STD-202, METHOD 101, CONDITION B
 - SHOCK: MIL-STD-202, METHOD 213, CONDITION I
 - VIBRATION: ML-STD-202, METHOD 204, CONDITION D



CUSTOMER DRAWING

THIS DRAWING TO BE INTERPRETED PER ANSI Y14.5M - 1982

"μSTATION"

COMPANY CONFIDENTIAL

TOLERANCE UNLESS OTHERWISE SPECIFIED	DRAWN BY RSH	DATE 6-21-95	299 Johnson Ave. P.O. Box 1732 Waseca, MN 56093-0832	
DECIMALS _ .xxx mm	CHECKED BY	DATE	TITLE JACK ASSEMBLY, RA PC MOUNT SMA	
MATL	APPROVED BY RJB	DATE 6-28-95	CODE NO.	DRAWING NO. C - 142-0701-301/310
FINISH	APPROVED BY	DATE	SCALE 8:1	U/M INCH
	RELEASE DATE	6-30-95	SHEET 2 OF 2	

2. CONNECTOR MOUNTING LEADS AND CENTER CONTACT 60/40 TIN/LEAD DIPPED (SOLDER PLATE).