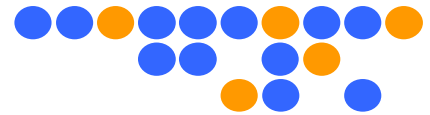


High Performance SMA Connector Data Sheet



■ Part No. : PSF-S05-000

(SMA Panel Edge Mount Jack)



Technical Data

Electrical Data	Impedance	50 Ω
	Max. Frequency	18 GHz
	Insulation Resistance	Min. 5 G Ω
Mechanical Data	Force to Engage/Disengage	2.0 pounds max.
	Durability	500 mating cycles
	Recommended Mating Torque	7~10 inch-pounds
Environmental Data	Operating Temp.	-40 $^{\circ}$ C~125 $^{\circ}$ C
	Vibration	MIL-STD-202
	Shock	MIL-STD-202
	RoHS	Compliant

Material Data		Material	Surface Plating
	Center Contact	BeCu	Gold Plating on Ni
	Body (con)	Stainless Steel	Passivated
	Body (Fixture)	Brass	Gold Plating on Ni
	Insulator	PTFE	
	Screw	Stainless Steel	Passivated

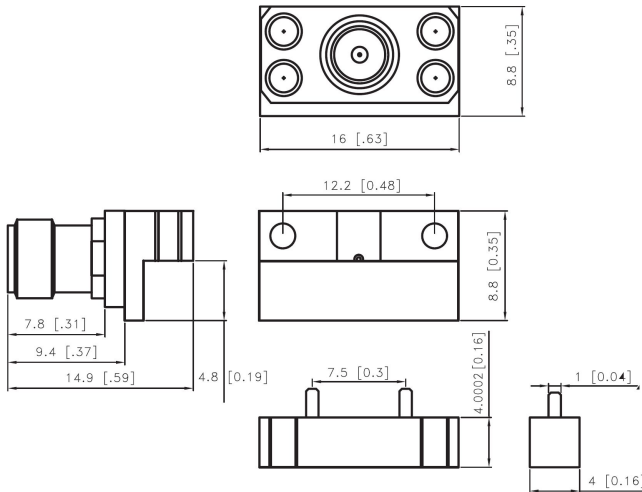
Part Number

Part No.	OLD Part No.
PSF-S05-000	PSF-S05

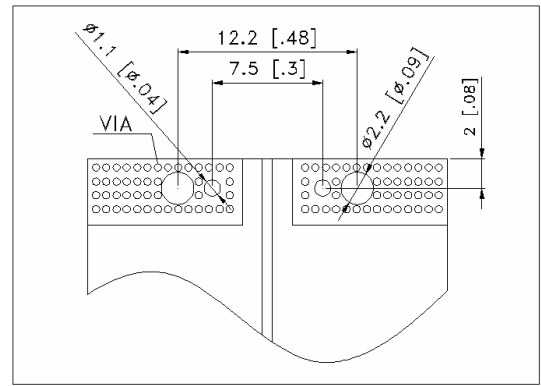
High Performance SMA Connector Data Sheet



Outline Drawing



Recommended PCB Pattern



Unit : mm [inch]

User's Guide

