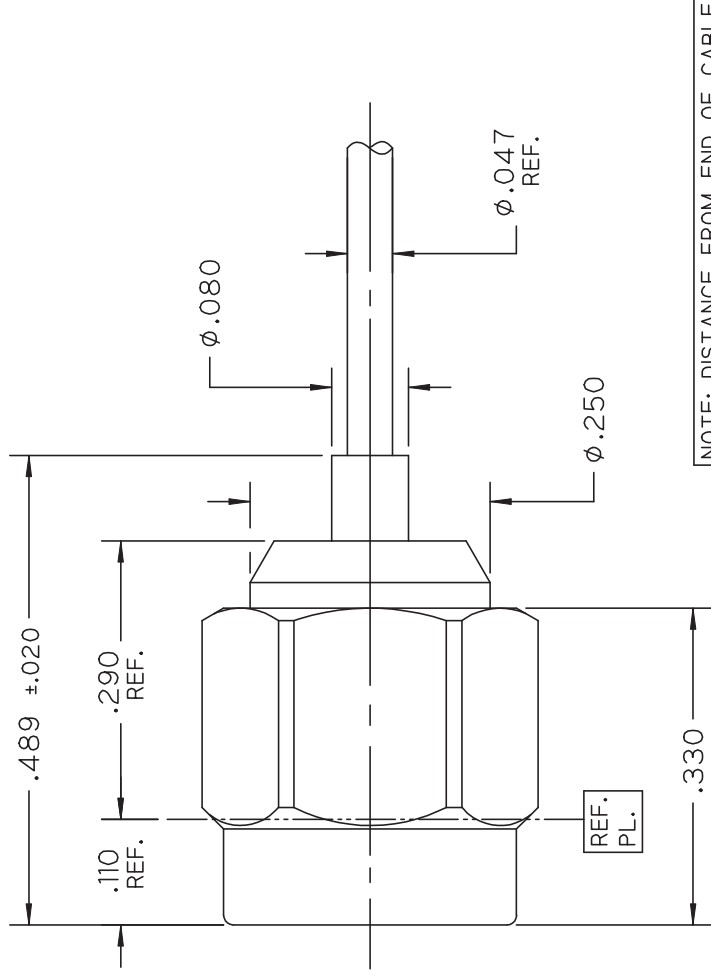
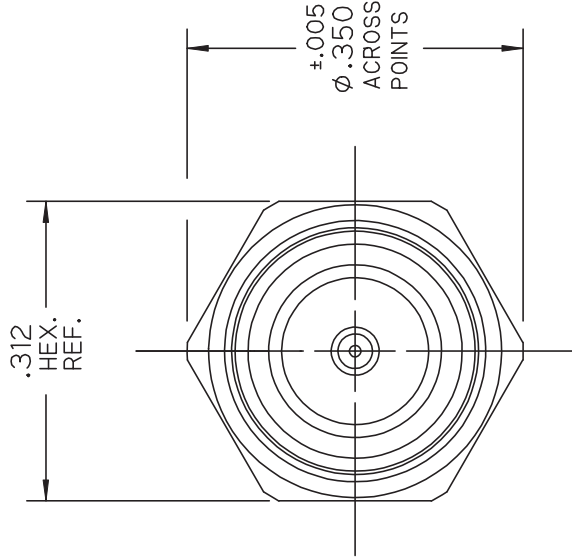


\*\*\*\*\* THIS DRAWING AND ITS CONTENTS ARE THE SOLE PROPERTY OF PRECISION CONNECTOR INC. AND ARE SUBJECT TO CHANGE WITHOUT NOTICE UNLESS OTHERWISE SPECIFIED \*\*\*\*\*

REF. PASTERNAK DRAWING PE4404



NOTE: DISTANCE FROM END OF CABLE CENTER COND. TO REF. PL. IS .165

NOTES :

1.0 MATERIALS:

- 1.1 BODY & COUPLING NUT: BRASS PER ASTM-B16, UNS C36000.
- 1.2 CENTER CONTACT: BERYLLIUM COPPER PER ASTM-B196, UNS C17300.
- 1.3 LOCK RING: BERYLLIUM COPPER PER ASTM-B197, UNS C17200.
- 1.4 INSULATOR(S): PTFE FLUOROCARBON PER ASTM-D1710.
- 1.5 GASKET: SILICONE RUBBER PER A-A-59588.

2.0 FINISHES:

- 2.1 BODY & CENTER CONTACT: GOLD PLATE PER ASTM-B488, 50 MICROINCHES MIN. THK. OVER ELECTROLYTIC NICKEL PLATE PER ASTM-B689, 50 MICROINCHES MIN. THK.
- 2.2 COUPLING NUT: SULFAMATE NICKEL PLATE PER ASTM-B689, 50 MICROINCHES MIN. THK.
- 2.3 GASKET, LOCK RING & DIELECTRICS: NONE.
- 3.0 INTERFACE: TYPE SMA PLUG PER PCI INTERFACE SPECIFICATION PCI-SMAP (MEETS MIL-STD-348, FIG. 310-1).

REV.	DESCRIPTION	DATE	BY	APPVD
A	INITIAL RELEASE	08/03/12	MJK	MJK



Precision Connector, Inc.

TOLERANCES UNLESS OTHERWISE SPECIFIED	DRAWN BY: MJK	PART DESCRIPTION: SMA PLUG, DIRECT
.XX ± .02	DATE: 08/03/12	SOLDER FOR .047 SEMI-RIGID CABLE
.XXX ± .005	CAGE CODE	SHEET NO.
.XXXX ± .0005	<b>4MJR5</b>	5:1 1 OF 1
ANGLES ± 2°		DRAWING NUMBER
		3793-01
		REV
		A