

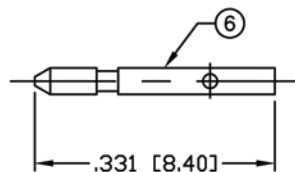
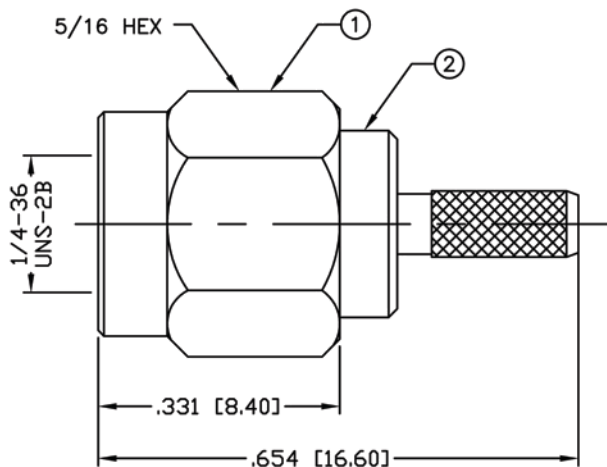
THIS DRAWING CONTAINS INFORMATION PROPRIETARY TO RF INDUSTRIES,
 ANY UNAUTHORIZED USE OF THIS DRAWING IS EXPRESSLY PROHIBITED
 WITHOUT WRITTEN PERMISSION FROM RF INDUSTRIES.
 ANY VIOLATION IS PUNISHABLE UNDER U.S. COPYRIGHT LAWS.

ALL DIMENSIONS ARE REFERENCE ONLY

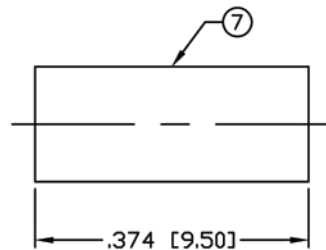
PART NO.

RSA-3000-1B

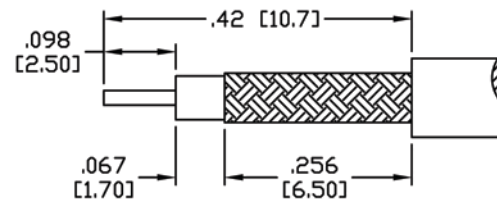
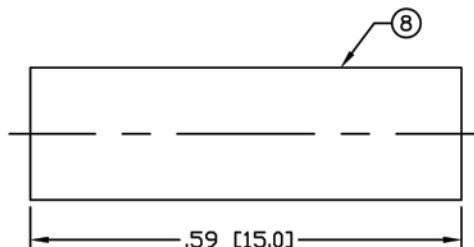
REV	DESCRIPTION	DWN	DATE	APPROVED
A	ENGINEERING RELEASE	KMM	8/19/96	R. RICE
B	CHANGE PIN & FER. STUD DESIGN / INCREASE OVERALL DIM	CZS	8/7/01	JDMc



**RECOMMENDED SOLDER
 OR CRIMP WITH RFA-4089**



RECOMMENDED CRIMP: .130"



RECOMMENDED STRIPPING DIMENSIONS

SPECIFICATIONS:

IMPEDANCE: 50 Ohms
 FREQUENCY RANGE: 0-12.4 GHz
 INSERTION LOSS(dB): $0.06 \times \sqrt{f(\text{GHz})}$
 WORKING VOLTAGE: 375 V rms Max. @ Sea Level
 INSULATION RESISTANCE: 5k M Ohms min.
 TEMPERATURE RANGE: -65°C TO 85°C
 FOR RG-174, 188, 188A, 316/U, ALPHA 9174, 9316,
 BELDEN 8216, 83269, 83284, 84316 & TIMES LMR-100A CABLE

1	SHELL	1	BRASS	GOLD, 3 μ"	008974	
2	BODY	1	BRASS	GOLD, 3 μ"		
3	INSULATOR	1	PTFE	----		
4	RETAINING RING	1	Be.Cu.	----		
5	GASKET	1	SILICONE	----		
6	PIN	1	BRASS	GOLD, 50 μ"		
7	FERRULE	1	BRASS	GOLD, 3 μ"		
8	TUBING	1	HEAT SHRINK	----		
9						
10					DRAWN	
11					C. ZUNIGA	10/22/02
12					CHECKED	
13					ORJ DRAWN	
14					K. MAXWELL	8/19/96
#	DESCRIPTION	QTY	MATERIAL	FINISH	APPROVALS	DATE

UNLESS OTHERWISE SPECIFIED:

1. REMOVE ALL BURRS
2. BREAK ALL CORNERS & EDGES .005 R. MAX.
3. CHAMFER 1ST & LAST THREADS 45°
4. SURFACE ROUGHNESS 63 FINISH MIL-STD-10
5. DIAMETERS ON COMMON CENTERS TO BE CONCENTRIC WITHIN .002 T.I.R.
6. ALL DIMENSIONS ARE AFTER PLATING.

DIMENSIONS ARE IN INCHES
 AND [MILLIMETERS]

UNLESS OTHERWISE NOTED
 TOLERANCES ARE:

DECIMALS	DIAMETER
.XXX±.003 [.08]	.XXX±.001 [.03]
.XX±.005 [.13]	.XX±.003 [.08]

RFconnectors
 DIVISION OF RF INDUSTRIES, LTD.

7610 MIRAMAR RD
 SAN DIEGO, CA 92126
 (858) 549-6340
 (858) 549-6345 FAX

SMA PLUG, CRIMP

SIZE	CABLE GROUP	DWG NO.	REV
A	B	RSA-3000-1B	B
SCALE: NTS		CAD FILE OUTLINE	SHEET 1 OF 1