

### Straight Plug

- Direct solder attachment
- Provided with contact and insulator
- Noncaptive contact

For .085" semi-rigid (A = .089):

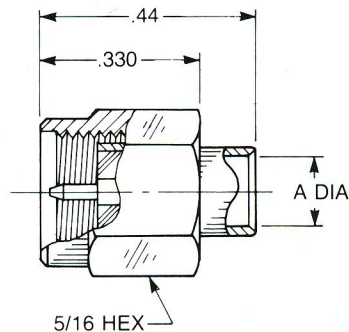
**9401-1083-010** (Gold plated)

**9401-7083-010** (Nickel plated)

For .141" semi-rigid (A = .144):

**9401-1083-109** (Gold plated)

**9401-7083-109** (Nickel plated)



### Straight Plug

- Direct solder attachment
- Provided with contact and insulator
- Captive contact for one-step cable assembly

For .085" semi-rigid (A = .089):

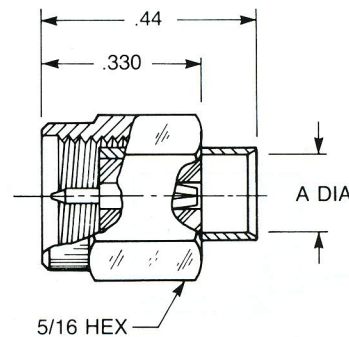
**9401-1583-010** (Gold plated)

**9401-7583-010** (Nickel plated)

For .141" semi-rigid (A = .144):

**9401-1583-109** (Gold plated)

**9401-7583-109** (Nickel plated)



### Straight Plug

- Solder-clamp attachment
- Captive contact

For .085" semi-rigid:

**9501-1593-010** (Gold plated)

**9501-9593-010** (Passivated)

For .141" semi-rigid:

**9501-1593-009** (Gold plated)

**9501-9593-009** (Passivated)

QPL version available (M39012/79)

