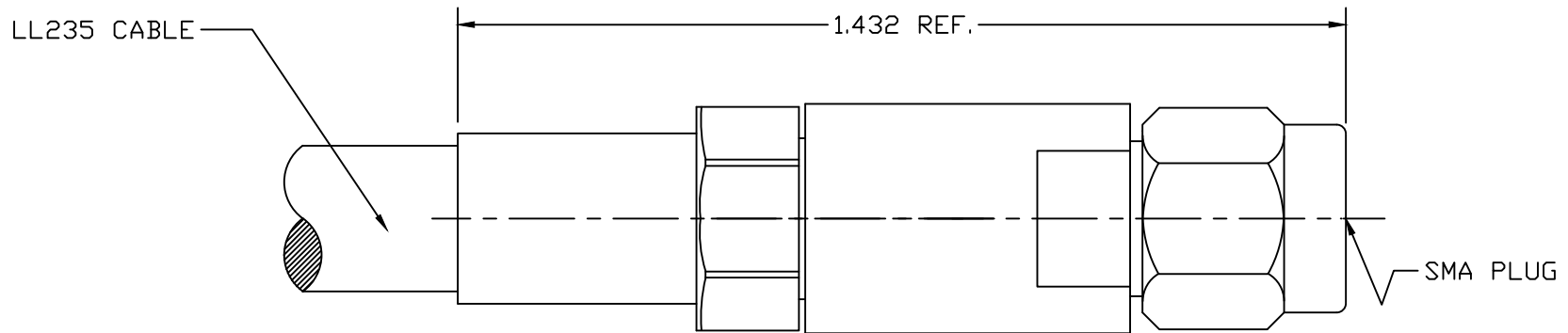



NOTES:

20-000-1536-00

- Materials:** SST. corrosion-resistant, Non Magnetic 303, per ASTM A484 and A582. Beryllium Copper per ASTM-B-196, QQ-C-530
PTFE Fluorocarbon per ASTM-D-1710
- Finish:** Center Conductors and solder components shall be plated per MIL-G-45204 Type II, Class 1 over Nickel plate per QQ-N-290.
Body and Body components shall be passivated per ASTM A380.
- Frequency:** DC-18 GHz
- VSWR:** $1.05 + .005 \times \text{Frequency}$
- Insertion Loss:** $.05 \sqrt{\text{Frequency}}$



LTR	DESCRIPTION	DATE	APPR.	DRAWN SM	CHECKED	USED ON	 SRI CONNECTOR GAGE CO. 751 NORTH DRIVE MELBOURNE FL. 32934	
-	REL	12/04		APPR.	SCALE	20-000-1536-00	TITLE	
				UNLESS OTHERWISE SPECIFIED: 1. REMOVE ALL BURRS 2. BREAK ALL CORNERS & EDGES .005 R. MAX 3. CHAMFER 1st & LAST THREADS 45° 4. SURFACE FINISHED 32/ UNLESS OTHERWISE SPECIFIED. 5. DIAMETERS ON COMMON CENTERS TO BE CONCENTRIC WITHIN .002 T.I.R. 6. ALL DIMENSIONS ARE AFTER PLATING.			SMA PLUG TO	
				DIMENSIONS ARE IN INCHES TOLERANCES			LL235 CABLE	
				DECIMALS .X ±.030 .XX ±.010 .XXX ±.005	FRACTIONAL ± 1/64	ANGULAR .X° ±1°0' .X°X' ±15'	SIZE A	FSCM NO. OHMO1
							SHEET 1	DWG. NO. 20-000-1536-00