

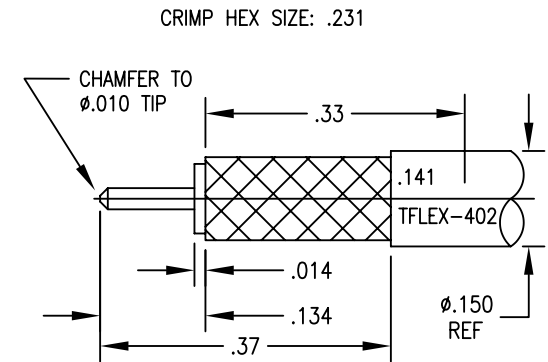
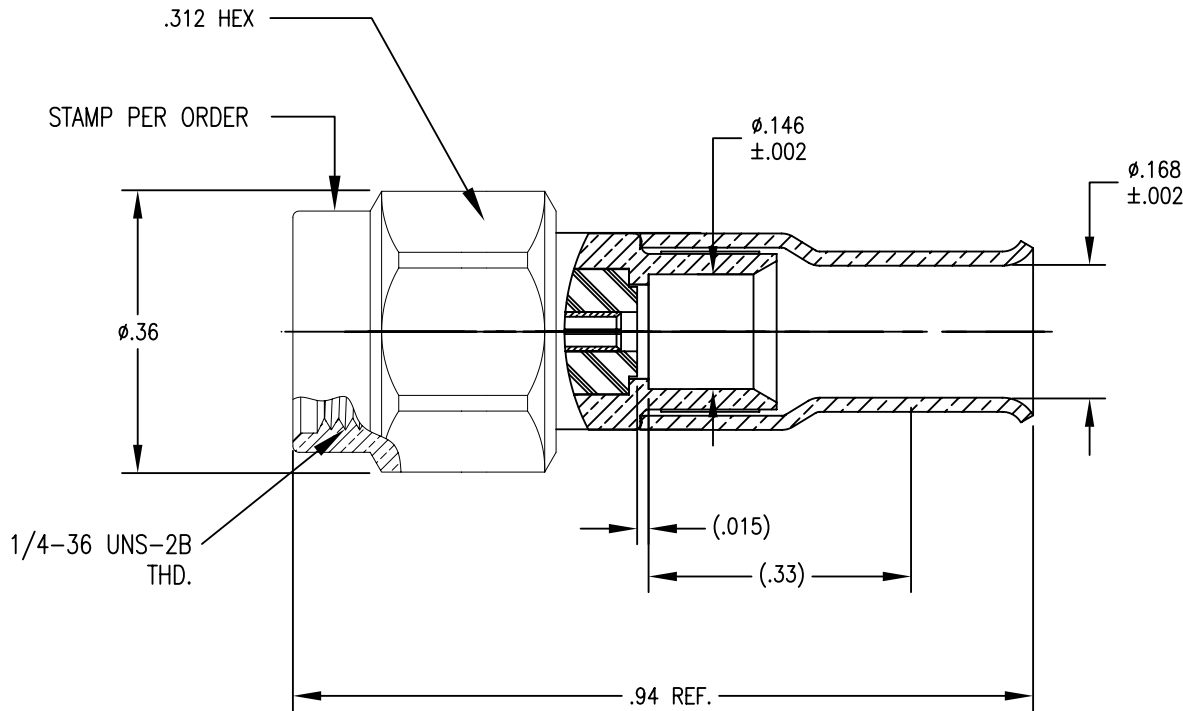
- 1.0 PERFORMANCE: (sea level)
- 1.1 FREQUENCY RANGE DC-20 GHz
- 1.2 VSWR 1.22 MAX (-20dB)
- 1.18 TYPICAL (-21.7dB)
- 1.3 SYSTEM IMPEDANCE 50 OHMS
- 1.4 DWV: 750 Vrms @ 60 Hz
- 1.5 VOLTAGE RATING: 250 VRMS
- 1.6 TEMP RANGE: -65 / +165 °C

- 2.0 MATERIALS
- 2.1 CONTACT: BeCu
- 2.2 LOCKING RING: BeCu
- 2.3 COUPLING NUT: STAINLESS STEEL
- 2.4 CRIMP FERRULE: SOFT COPPER
- 2.5 BODY: BRASS
- 2.6 INSULATOR: PTFE
- 2.7 GASKET: Si RUBBER
- 3.0 FINISHES: SEE TABLE

- 4.0 MECHANICAL
- 4.1 INTERFACES PER MIL-STD-348
- 4.2 COUPLING PROOF TORQUE 15 INCH\*LBS
- 4.3 COUPLING NUT RETENTION 60 LBS AXIAL
- 4.4 CONTACT RETENTION 6 LBS AXIAL
- 4.5 DURABILITY: 100 CYCLES
- 4.6 1201-48 M1-GJP HAS QUICK THRD C-NUT

DWG NO. OL-1201-28-1			REV. H
PART NUMBER	BODY	CONTACT	CPL. NUT
1201-28-GJP	GOLD	GOLD/Ni	PASSIVATE
1201-28*M1-GJP	GOLD	GOLD/Ni	PASSIVATE

PLATING PER SAN-TRON SPEC. 7.3.1-8



DRAWING NOT TO SCALE

H	CRIMP DIE FROM .213 TO .231 HEX	MIX	10/27/08	FSH	FSH	
G	UPDATE PROCEDURES	MIX	7/19/07	FSH	FSH	
F	UPDATE PERFORMANCE SPECS. PER ACTUAL TEST DATA	MIX	6/21/07	DVP	FSH	
E	RELEASE FOR PRODUCTION	NEW	8/4/06	FSH	FSH	
D	OPTIMIZATION EXPERIMENTS	NEW	3/10/06	FSH	PEND	
A	ORIGINAL	NEW	1/3/05			
Rev.	Revisions		Disp.	Date	Dwn.	Appd.
RECOM. STOCK SIZE	FT/M PCS	Ref.:	REMOVE ALL BURRS AND SHARP EDGES .005 MAX.	INTERPRET PER ASME Y14.5M-1994		
		SK				

THIS DRAWING CONTAINS CONFIDENTIAL INFORMATION PROPRIETARY TO SAN-TRON INC. IT MUST NOT BE REPRODUCED OR DISCLOSED TO OTHERS OR USED IN ANY OTHER WAY, IN WHOLE OR PART EXCEPT AS AUTHORIZED IN WRITING BY SAN-TRON INCORPORATED.

UNLESS OTHERWISE SPECIFIED:  
ALL DIMENSIONS ARE IN INCHES.  
ALL DIMENSIONS ARE AFTER PLATING.  
.XXX= ±.005 ALL MACHINED SURFACES <sup>63</sup>/ MAX.  
.XX= ±.01 ANG. ±1/2° FRACTIONAL= ±1/64  
Ⓞ.004 MAX. TIR

THIRD ANGLE PROJECTION

DWN	LAP	1/3/05
CHKD	SJS	X
APPR	FSH	1/3/05

**SAN-TRON, INC.**  
4 NEWBURYPORT TPK. IPSWICH MA USA 01938  
TEL: 978 - 356 -1585 FAX: 978 - 356 -1573  
WWW.santron.com E MAIL: santron@santron.com

TITLE: eSMA PLUG, STRAIGHT, EZ STYLE, T-FLEX 402, SS-402 (Ø.141)

MATERIAL: SEE NOTE 2.0 FINISH: SEE NOTE 3.0

CAGE CODE: 50896 DWG NO. OL-1201-28-1

SCALE: 4:1 REV. H