

Straight Plug

- Direct solder attachment
- Provided with contact and insulator
- Noncaptive contact

For .085" semi-rigid (A = .089):

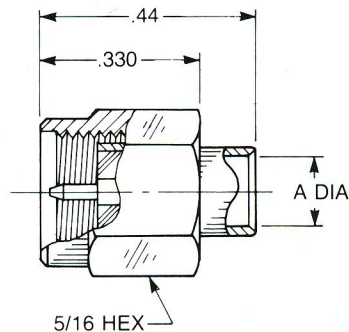
9401-1083-010 (Gold plated)

9401-7083-010 (Nickel plated)

For .141" semi-rigid (A = .144):

9401-1083-109 (Gold plated)

9401-7083-109 (Nickel plated)



Straight Plug

- Direct solder attachment
- Provided with contact and insulator
- Captive contact for one-step cable assembly

For .085" semi-rigid (A = .089):

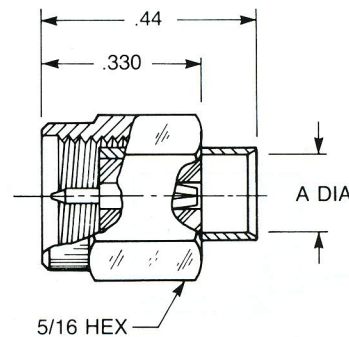
9401-1583-010 (Gold plated)

9401-7583-010 (Nickel plated)

For .141" semi-rigid (A = .144):

9401-1583-109 (Gold plated)

9401-7583-109 (Nickel plated)



Straight Plug

- Solder-clamp attachment
- Captive contact

For .085" semi-rigid:

9501-1593-010 (Gold plated)

9501-9593-010 (Passivated)

For .141" semi-rigid:

9501-1593-009 (Gold plated)

9501-9593-009 (Passivated)

QPL version available (M39012/79)

