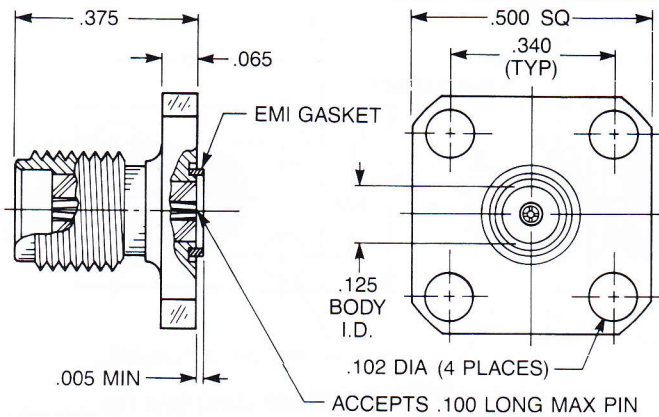




FOR .015" DIAMETER PINS



**Straight Jack
1/2" Square Flange**

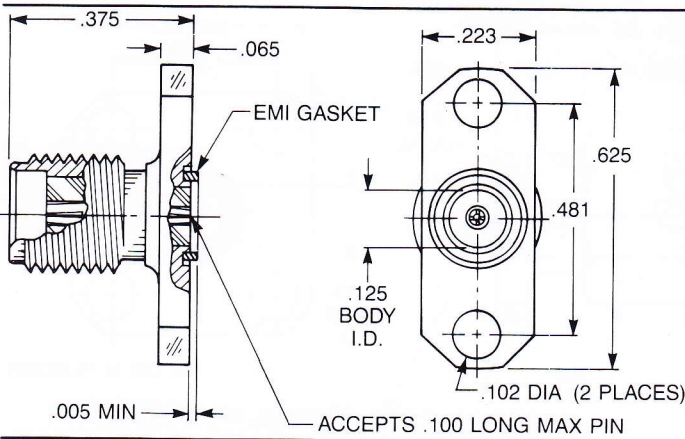
9045-9513-001

Optional packaging:

9145-9513-001 (Includes 920-82)

9245-9513-001 (Includes 920-82
and 907-111-5)

9345-9513-001 (Includes 907-111-5)



**Straight Jack
2-Hole Flange**

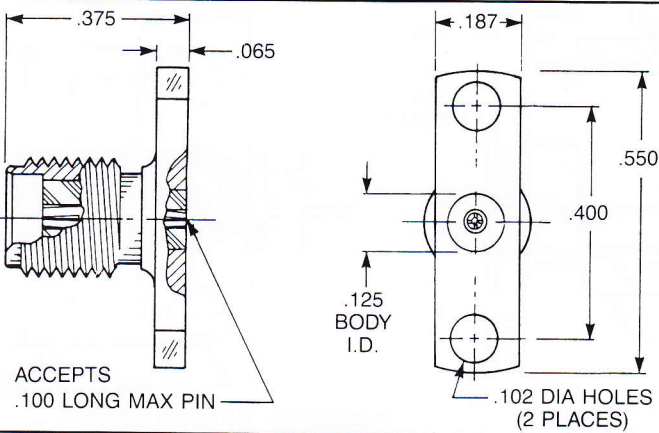
9044-9513-001

Optional packaging:

9144-9513-001 (Includes 920-82)

9244-9513-001 (Includes 920-82
and 907-111-5)

9344-9513-001 (Includes 907-111-5)



**Straight Jack
Narrow 2-Hole Flange**

No EMI gasket

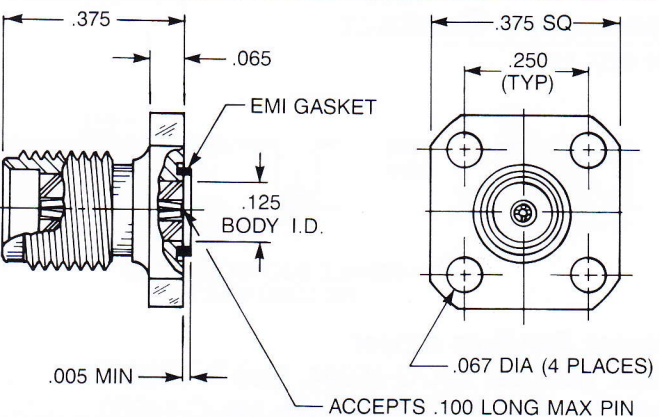
9080-9513-001

Optional packaging:

9180-9513-001 (Includes 920-82)

9280-9513-001 (Includes 920-82
and 907-111-5)

9380-9513-001 (Includes 907-111-5)



**Straight Jack
3/8" Square Flange**

9079-9513-001

Optional packaging:

9179-9513-001 (Includes 920-82)

9279-9513-001 (Includes 920-82
and 907-111-5)

9379-9513-001 (Includes 907-111-5)

These units accept pin diameters .014 to .016"

e-mail: aepsales@aepconnectors.com

AEP New Haven, CT
203/776-2813