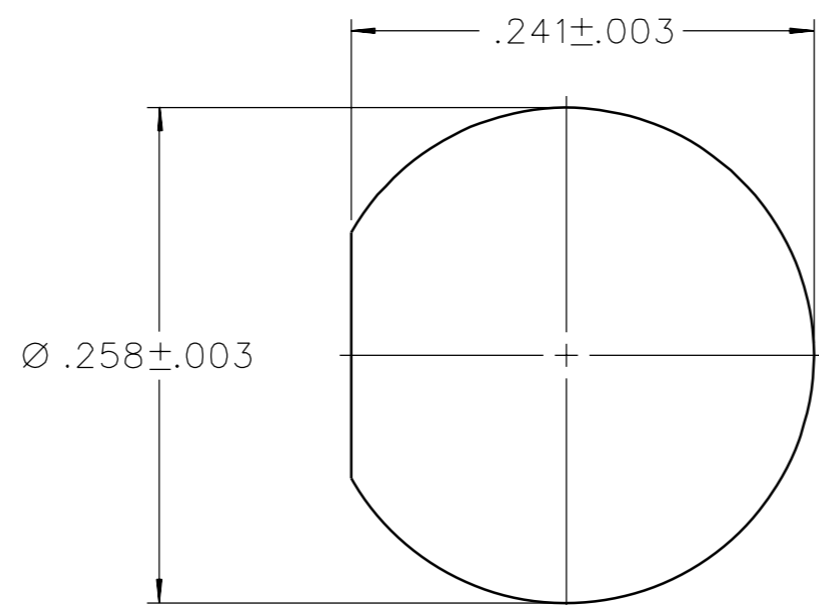
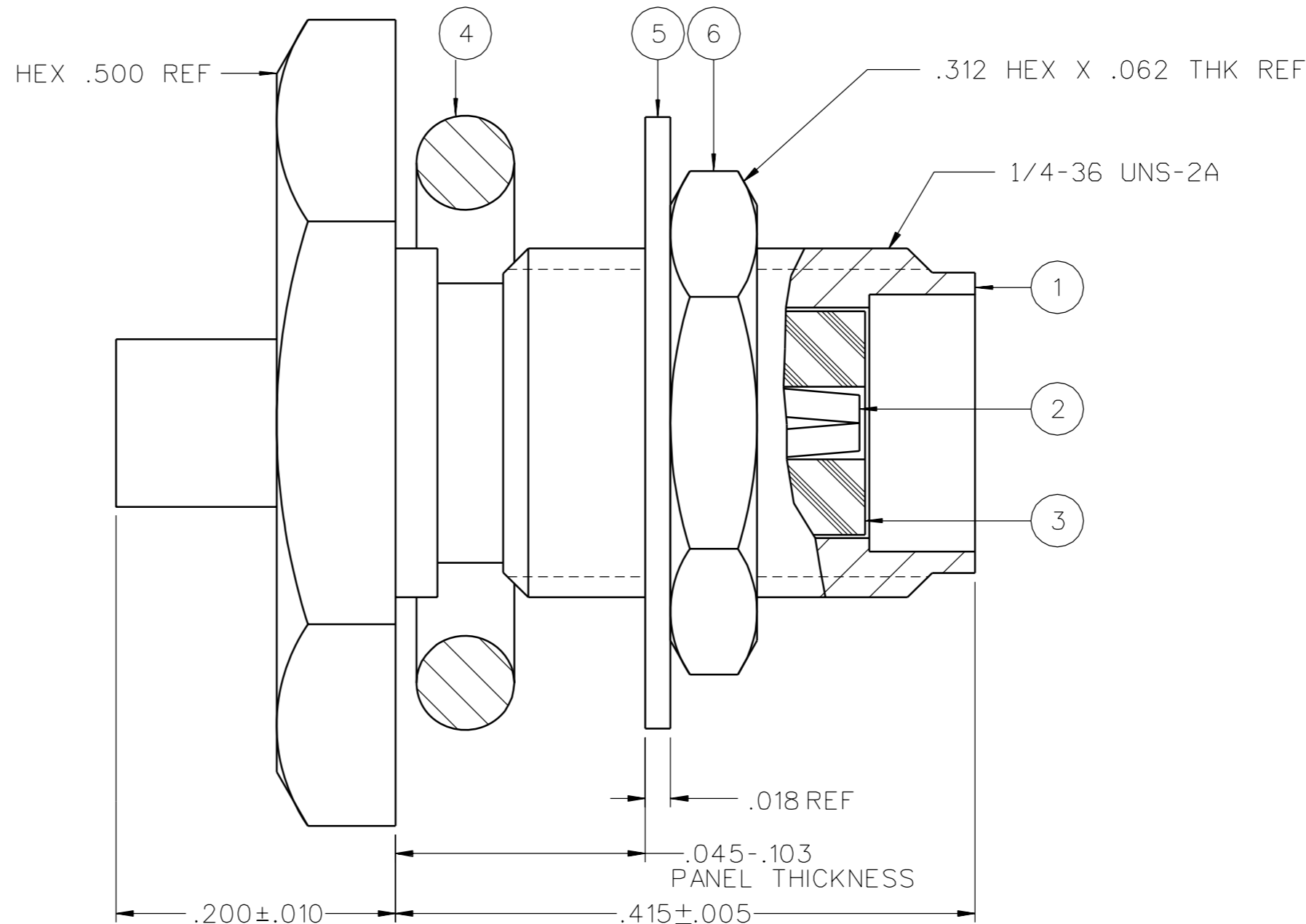
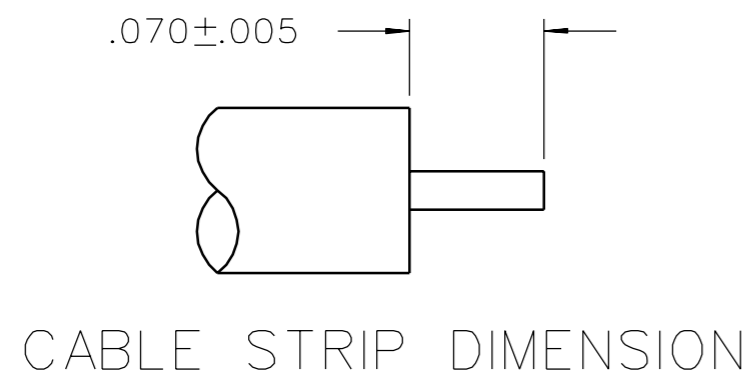


PART NUMBER	ITEM ① BODY	ITEM ② CONTACT	ITEM ③ INSULATOR	ITEM ④ SEAL RING	ITEM ⑤ LOCK WASHER	ITEM ⑥ NUT
141-0593-401	STAINLESS STEEL GOLD PL .00005 MIN OVER NICKEL PL .00005 MIN OVER	BERYLLIUM COPPER GOLD PL .00005 MIN OVER NICKEL PL .00005 MIN OVER COPPER PL .00005 MIN	TEFLON	SILICONE RUBBER	STAINLESS STEEL GOLD PL .00001 MIN OVER NICKEL PL .00005 MIN OVER COPPER PL .00005 MIN	STAINLESS STEEL GOLD PL .00001 MIN OVER NICKEL PL .00005 MIN OVER COPPER PL .00005 MIN
141-0593-402	STAINLESS STEEL GOLD PL .00005 MIN OVER NICKEL PL .00005 MIN OVER	BERYLLIUM COPPER GOLD PL .00005 MIN OVER NICKEL PL .00005 MIN OVER COPPER PL .00005 MIN	TEFLON	SILICONE RUBBER	STAINLESS STEEL PASSIVATED	STAINLESS STEEL PASSIVATED

DRAWING NO. C - 141-0593-401/410	
0 REVISIONS	
ENGINEERING RELEASE	
01	01-22-90 EJ G R J A W 01-23-90 ECO 24290
ADDED: 115° C HIGH TEMP TO THERMAL SHOCK SPEC.	
02	02-26-90 EJ G R J B 3-8-90 ECO 24395
CHANGED: SILICONE RUBBER WAS BUNAN, HEX .500 WAS HEX .500±.010, .415±.005 WAS .415±.010, DIA. .241±.003 WAS DIA. .241±.000±.005, DIA. .258±.003 WAS DIA. .258 ±.000±.005, AND 10GHZ WAS 9-12.4 GHZ. DELETED: .615±.010, AND .539±.010. ADDED: .200±.010, .045-.103 PANEL THICKNESS, .018 REF, .312 HEX X .062 THK REF., 1/4-36 UNS-2A.	
03	02-25-91 D R J B ECO 24961
DELETED: "COPPER PL .00005 MIN."	
04	08-21-91 D R J B ECO 40504
GRAPHICS & VERSION UPDATE	
5	12-20-05 P A T S D W 5-12-06 ECN 50098



NOTES:

1. SPECIFICATIONS:

IMPEDANCE: 50 OHMS
 FREQUENCY RANGE: 0-18 GHz
 VSWR: 1.07±.008 F MAX (F IN GHz)
 WORKING VOLTAGE: 335 VRMS MAX AT SEA LEVEL
 DIELECTRIC WITHSTANDING VOLTAGE: 1000 VRMS MIN AT SEA LEVEL
 INSULATION RESISTANCE: 5000 MEGOHM MIN
 CONTACT RESISTANCE:
 CENTER CONTACT - INITIAL 3.0 MILLIOHM MAX, AFTER ENVIRONMENTAL 4.0 MILLIOHM MAX
 OUTER CONDUCTOR - INITIAL 2.0 MILLIOHM MAX AFTER ENVIRONMENTAL NOT APPLICABLE
 BODY TO CABLE - 0.5 MILLIOHM MAX
 CORONA LEVEL: 250 VOLTS MIN AT 70,000 FEET
 INSERTION LOSS: .03√F (F IN GHz) AT 10 GHz
 RF LEAKAGE: -90 DB MIN AT 2 TO 3 GHz
 RF HIGH POTENTIAL WITHSTANDING VOLTAGE: 670 VRMS MIN AT 5 TO 7.5 MHz

MECHANICAL:

ENGAGE/DISENGAGE TORQUE: 2 IN-LBS MAX
 MATING TORQUE: 7-10 IN-LBS
 COUPLING PROOF TORQUE: NOT APPLICABLE
 COUPLING NUT RETENTION: NOT APPLICABLE
 CONTACT RETENTION: NOT APPLICABLE
 CABLE ACCEPTABILITY: RG 405 DIA .086 SEMIRIGID
 CABLE HEX CRIMP SIZE: NOT APPLICABLE
 CABLE RETENTION: 30 LBS MIN AXIAL FORCE
 16 IN-OUNCE MIN TORQUE
 DURABILITY: 500 CYCLES MIN

ENVIRONMENTAL:

(MEETS OR EXCEEDS THE APPLICABLE PARAGRAPH OF MIL-PRF-39012)
 THERMAL SHOCK: MIL-STD-202, METHOD 107, CONDITION B, EXCEPT 115°C HIGH TEMP
 OPERATING TEMPERATURE: -65 DEG C TO 165 DEG C
 CORROSION: MIL-STD-202, METHOD 101, CONDITION B
 SHOCK: MIL-STD-202, METHOD 213, CONDITION I
 VIBRATION: MIL-STD-202, METHOD 204, CONDITION D
 MOISTURE RESISTANCE: MIL-STD-202, METHOD 106

TOLERANCE UNLESS OTHERWISE SPECIFIED		DRAWN BY EJ	DATE 9-5-89
DECIMALS	mm	CHECKED BY	DATE
.XX			
.XXX			
MATL		APPROVED BY RJB/GLD	DATE 1-22-90
FINISH		RELEASE DATE	1-23-90
U/M	INCH	SCALE	10:1

Connectivity Solutions P.O. Box 1732 Waseca, MN 56093 1-800-247-8256	
EMERSON Network Power	
TITLE JACK ASSEMBLY SRTAIGHT CABLED BULKHEAD SMA, RG-405	
SHEET 2 OF 2	DRAWING NO. C - 141-0593-401/410

CUSTOMER DRAWING

THIS DRAWING TO BE INTERPRETED PER ASME Y 14.5M - 1994

"μSTATION"

COMPANY CONFIDENTIAL