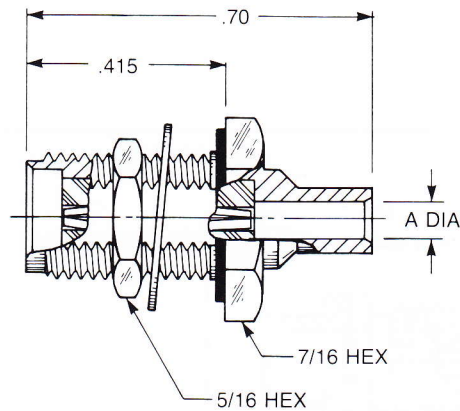


Straight Bulkhead Jack

- Direct solder attachment
- With mounting gasket
- Noncaptive contact

For .085" semi-rigid (A = .089)
9453-1083-010 (Gold plated)
9453-7083-010 (Nickel plated)

For .141" semi-rigid (A = .144):
9453-1083-009 (Gold plated)
9453-7083-009 (Nickel plated)

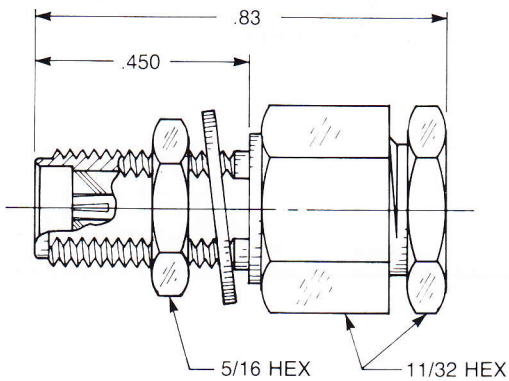


Straight Bulkhead Jack

- Direct solder attachment
- With mounting gasket
- Captive contact for one-step cable assembly

For .085" semi-rigid (A = .089):
9453-1583-010 (Gold plated)
9453-7583-010 (Nickel plated)

For .141" semi-rigid (A = .144):
9453-1583-009 (Gold plated)
9453-7583-009 (Nickel plated)



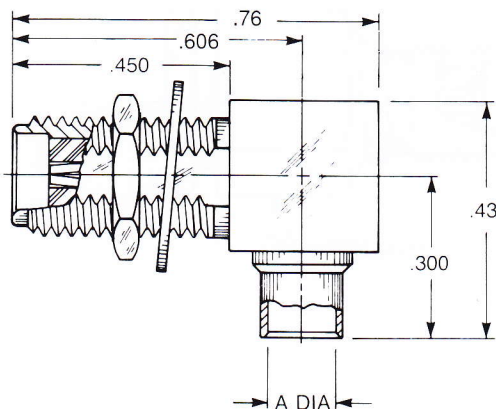
Straight Bulkhead Jack

- Solder-clamp attachment
- Captive contact

For .085" semi-rigid:
9530-1593-010 (Gold plated)
9530-9593-010 (Passivated)

For .141" semi-rigid:
9530-1593-009 (Gold plated)
9530-9593-009 (Passivated)

QPL version available (M39012/83)



Right Angle Bulkhead Jack

- Direct solder attachment

For .085" semi-rigid (A = .089):
9613-1563-010 (Gold plated)
9613-7563-010 (Nickel plated)

For .141" semi-rigid (A = .144):
9613-1563-009 (Gold plated)
9613-7563-009 (Nickel plated)