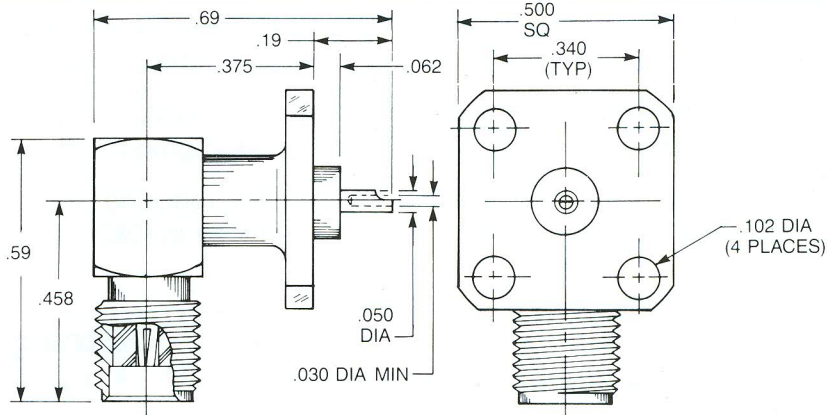




**Right Angle  
Panel Jack Receptacle**

- Solder pot contact
- 1/2" square flange

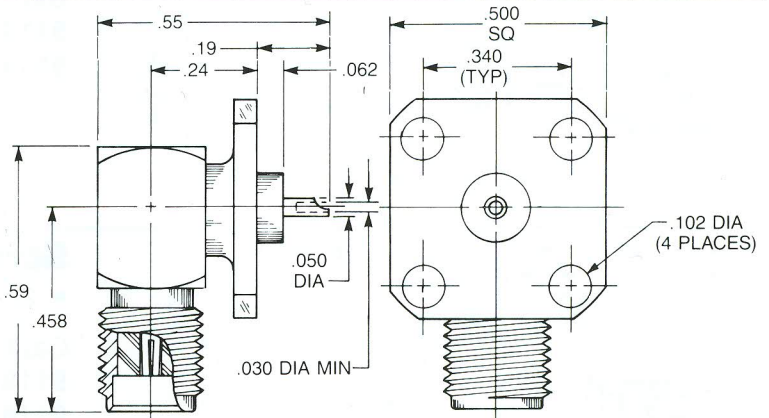
9424-1513-000 (Gold plated)  
9424-9513-000 (Passivated)



**Low Profile Right Angle  
Panel Jack Receptacle**

- Solder pot contact
- 1/2" square flange

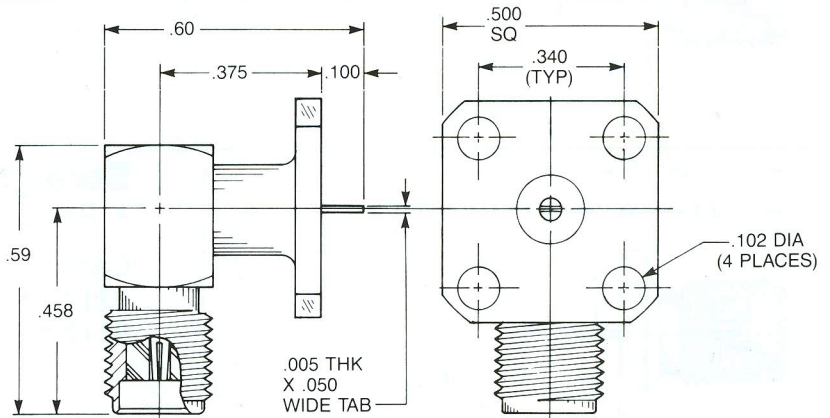
9425-1513-000 (Gold plated)  
9425-9513-000 (Passivated)



**Right Angle  
Panel Jack Receptacle**

- Tab contact
- 1/2" hole flange

9124-1513-000 (Gold plated)  
9124-9513-000 (Passivated)



**Right Angle  
Panel Jack Receptacle**

- Tab contact
- 2-hole flange

9126-1513-000 (Gold plated)  
9126-9513-000 (Passivated)

