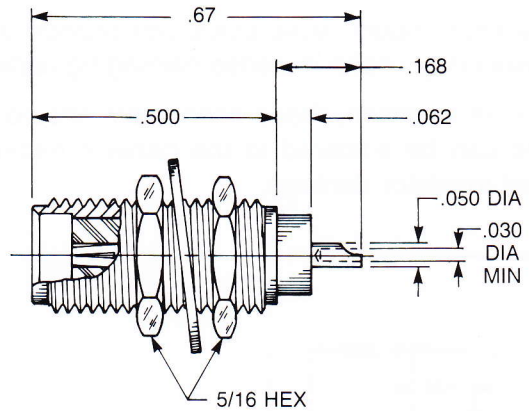




**Straight Bulkhead Jack Receptacle**

- Solder pot contact
- Round body
- Provided with two mounting nuts and one lockwasher

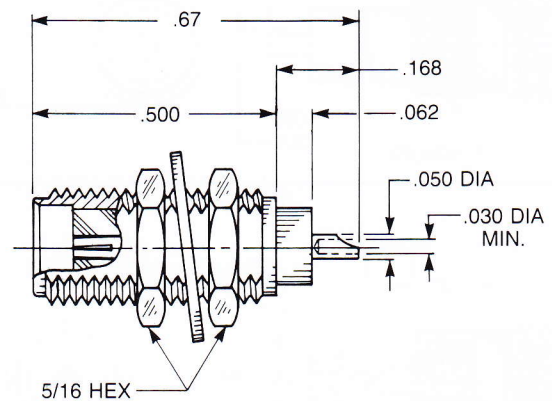
Captive contact:  
**9413-1113-000** (Gold plated)  
**9413-9113-000** (Passivated)



**Straight Bulkhead Jack Receptacle**

- Solder pot contact
- D-flatted body
- Provided with two mounting nuts and one lockwasher

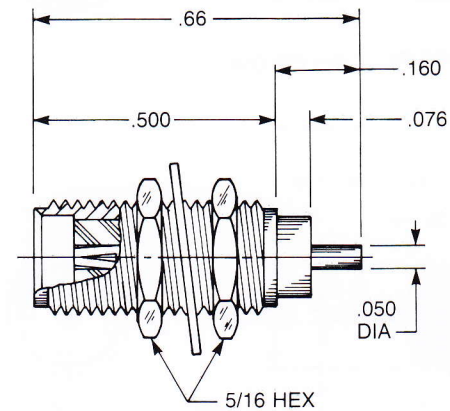
Captive contact:  
**9456-1113-002** (Gold plated)  
**9456-9113-002** (Passivated)



**Straight Bulkhead Jack Receptacle**

- Post contact
- Round body
- Provided with two mounting nuts and one lockwasher

Captive contact:  
**9013-1113-000** (Gold plated)  
**9013-9113-000** (Passivated)



**Straight Bulkhead Jack Receptacle**

- Post contact
- D-flatted body
- Provided with two mounting nuts and one lockwasher

Captive contact:  
**9056-1113-000** (Gold plated)  
**9056-9113-000** (Passivated)

