

FOR .012" DIAMETER PINS

**Straight Jack
Rectangular Flange**

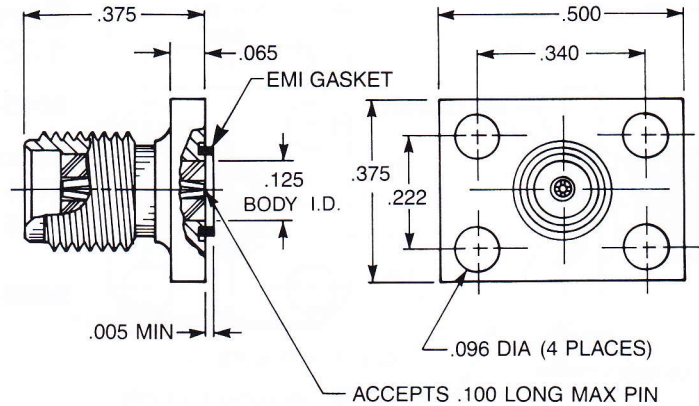
9062-9513-000

Optional packaging:

9162-9513-000 (Includes 920-55)

9262-9513-000 (Includes 920-55
and 907-111-1)

9362-9513-000 (Includes 907-111-1)



**Straight Plug
1/2" Square Flange**

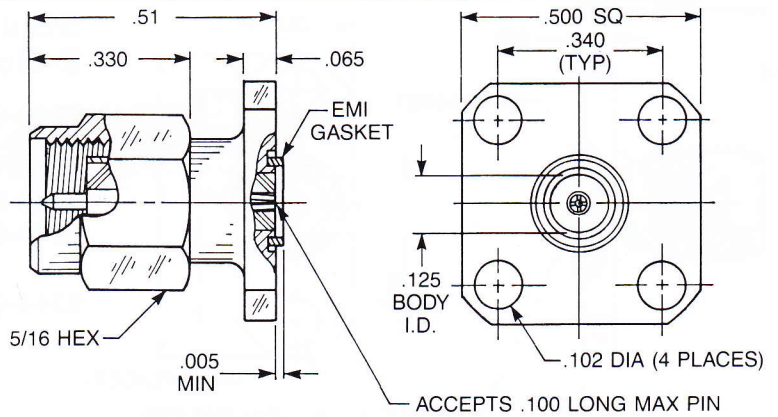
9047-9513-000

Optional packaging:

9147-9513-000 (Includes 920-55)

9247-9513-000 (Includes 920-55
and 907-111-1)

9347-9513-000 (Includes 907-111-1)



**Straight Plug
2-Hole Flange**

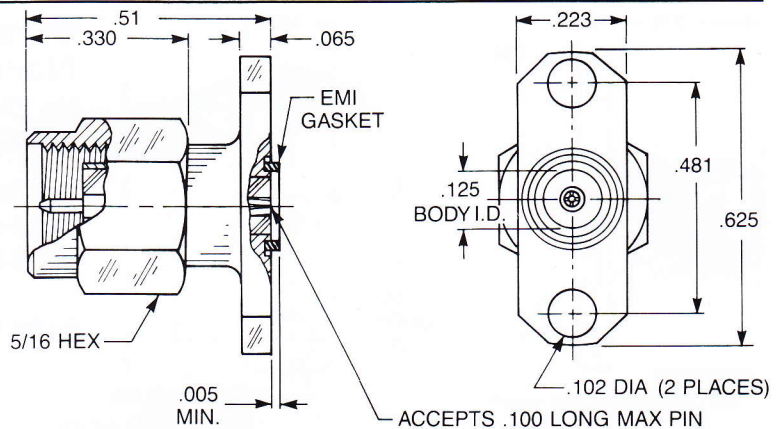
9046-9513-000

Optional packaging:

9146-9513-000 (Includes 920-55)

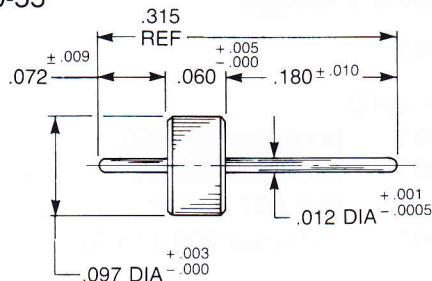
9246-9513-000 (Includes 920-55
and 907-111-1)

9346-9513-000 (Includes 907-111-11)



Solder-In Hermetic Seal

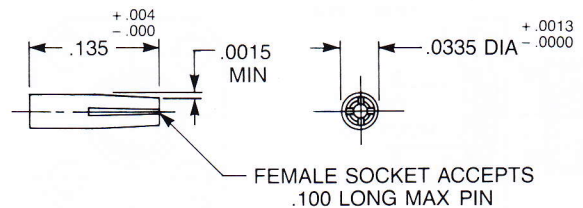
P/N 920-55



See page 45 for material and finish specifications and mounting dimensions.

Accessory Contact

P/N 907-111-1



Material: Beryllium copper
Finish: Gold per MIL-G-45204, type II, class I, grade C, over .0001 copper per MIL-C-14550