



FOR .018" DIAMETER PINS

**Straight Jack
Rectangular Flange**

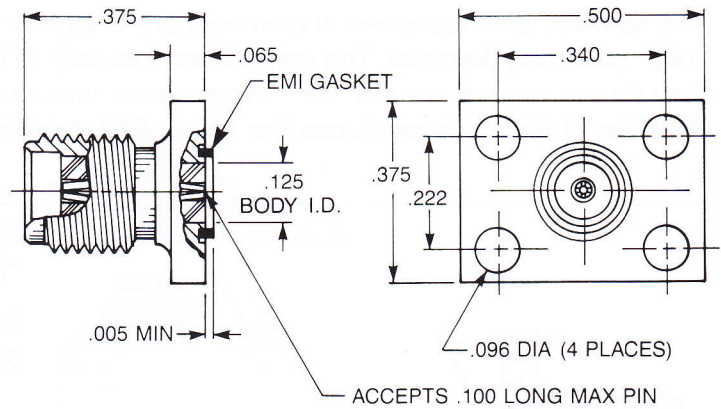
9068-9513-000

Optional packaging:

9168-9513-000 (Includes 920-56)

9268-9513-000 (Includes 920-56
and 907-111-2)

9368-9513-000 (Includes 907-111-2)



**Straight Plug
1/2" Square Flange**

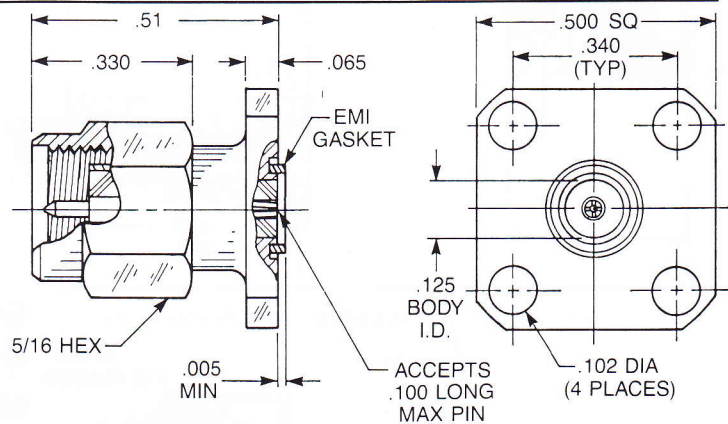
9051-9513-000

Optional packaging:

9151-9513-000 (Includes 920-56)

9251-9513-000 (Includes 920-56
and 907-111-2)

9351-9513-000 (Includes 907-111-2)



**Straight Plug
2-Hole Flange**

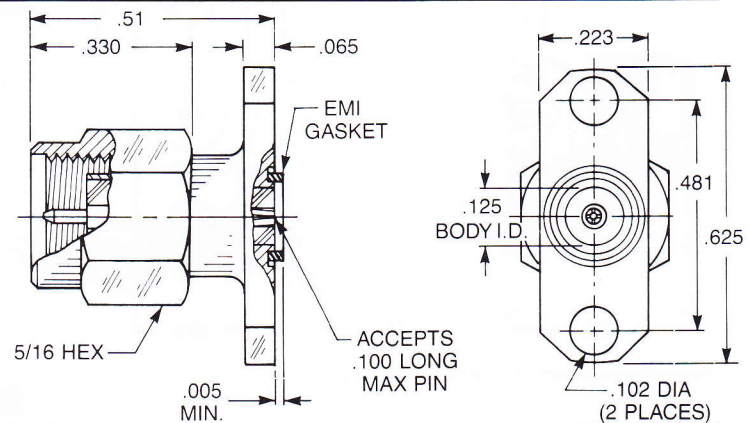
9050-9513-000

Optional packaging:

9150-9513-000 (Includes 920-56)

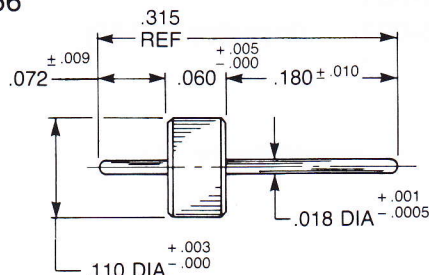
9250-9513-000 (Includes 920-56
and 907-111-2)

9350-9513-000 (Includes 907-111-2)



Solder-In Hermetic Seal

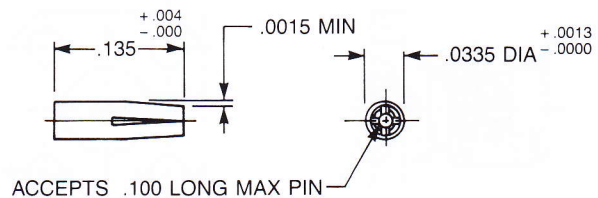
P/N 920-56



See page 45 for material and finish specifications and mounting dimensions.

Accessory Contact

P/N 907-111-2



Material: Beryllium copper
Finish: Gold per MIL-G-45204, type II, class 1,
grade C over .0001 copper per MIL-C-14450