



FOR .015" DIAMETER PINS

**Straight Jack
Rectangular Flange**

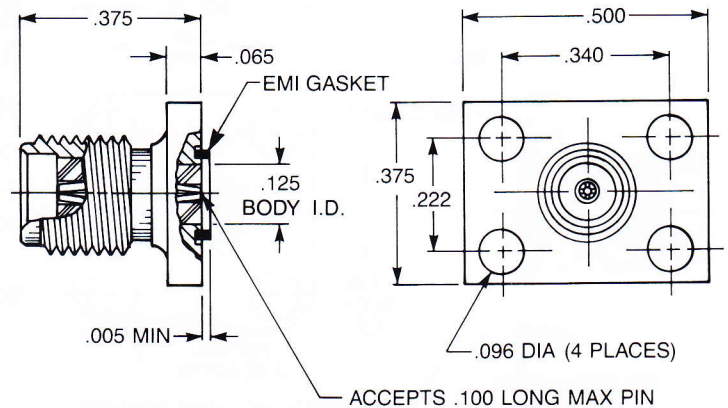
9062-9513-001

Optional packaging:

9162-9513-001 (Includes 920-82)

9262-9513-001 (Includes 920-82
and 907-111-5)

9362-9513-001 (Includes 907-111-5)



**Straight Plug
1/2" Square Flange**

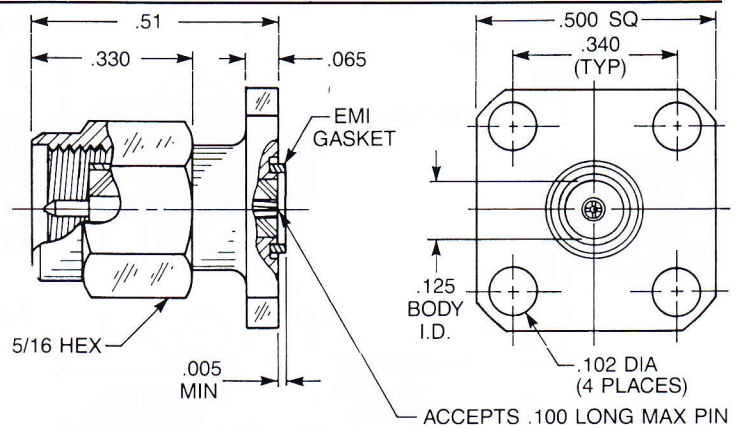
9047-9513-001

Optional packaging:

9147-9513-001 (Includes 920-82)

9247-9513-001 (Includes 920-82
and 907-111-5)

9347-9513-001 (Includes 907-111-5)



**Straight Plug
2-Hole Flange**

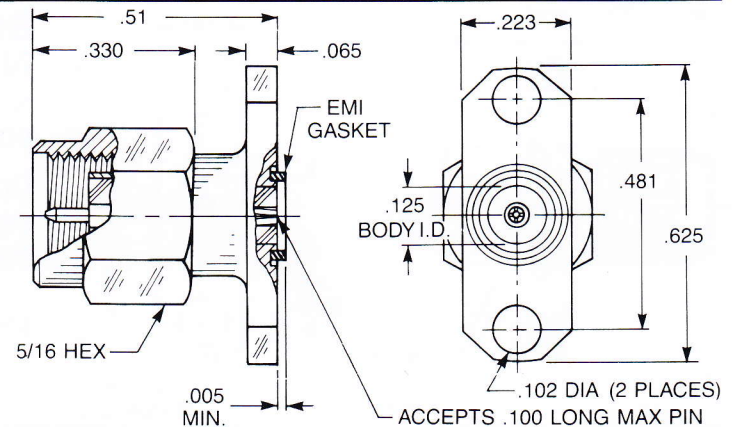
9046-9513-001

Optional packaging:

9146-9513-001 (Includes 920-82)

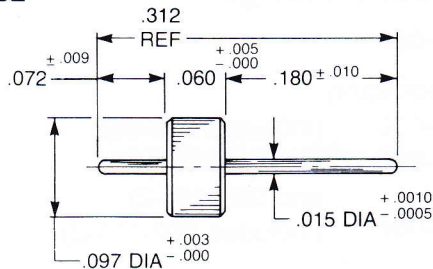
9246-9513-001 (Includes 920-82
and 907-111-5)

9346-9513-001 (Includes 907-111-5)



Solder-In Hermetic Seal

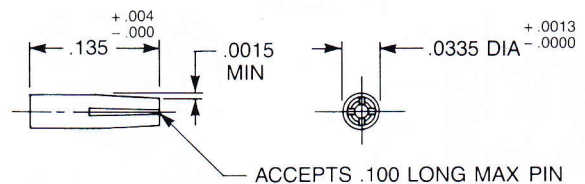
P/N 920-82



See page 45 for material and finish specifications and mounting dimensions.

Accessory Contact

P/N 907-111-5



Material: Beryllium copper.
Finish: Gold per MIL-G-45204, type II, class 1, grade C, over .0001 copper per MIL-C-14450.