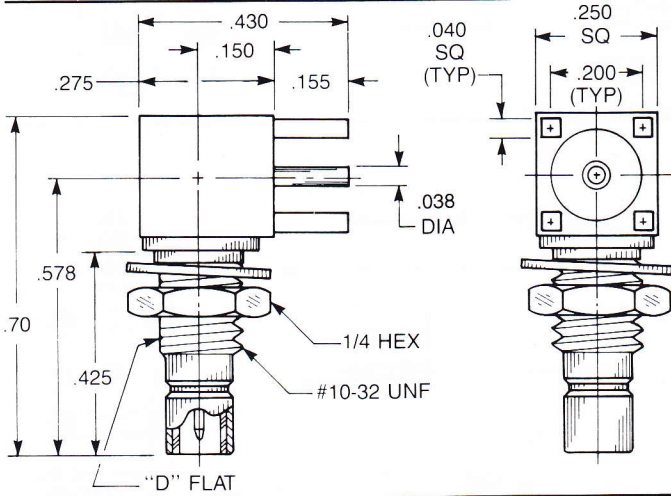


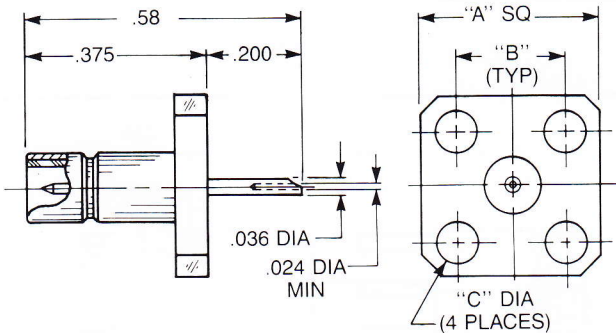
**Bulkhead Mounted
Straight Male Jack
P.C. Board Receptacle**

2109-1511-000 (Gold plated)
2109-7511-000 (Nickel plated)



**Bulkhead Mounted
Right Angle Male Jack
P.C. Board Receptacle**

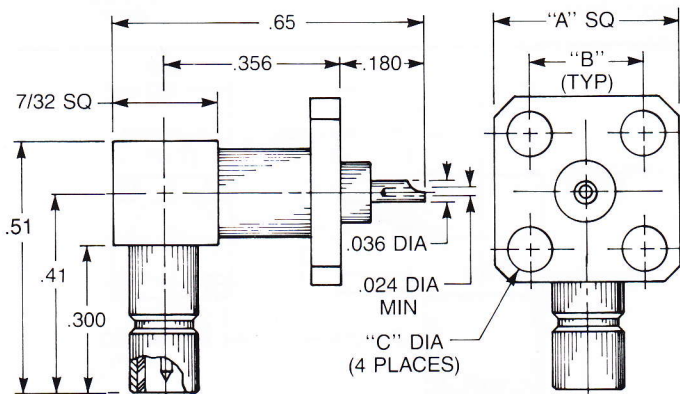
2110-1511-000 (Gold plated)
2110-7511-000 (Nickel plated)



**Straight Male
Panel Receptacle**

| A sq. | B | C. dia. |
|-------------------------------|------|---------|
| .500 | .340 | .102 |
| 2486-1511-000 (Gold plated) | | |
| 2486-7511-000 (Nickel plated) | | |

| A sq. | B | C dia. |
|-------------------------------|------|--------|
| .375 | .232 | .093 |
| 2484-1511-000 (Gold plated) | | |
| 2484-7511-000 (Nickel plated) | | |



**Right Angle Male
Panel Receptacle**

| A sq. | B | C dia. |
|-------------------------------|------|--------|
| .500 | .340 | .102 |
| 2490-1511-000 (Gold plated) | | |
| 2490-7511-000 (Nickel plated) | | |

| A sq. | B | C dia. |
|-------------------------------|------|--------|
| .375 | .232 | .093 |
| 2488-1511-000 (Gold plated) | | |
| 2488-7511-000 (Nickel plated) | | |