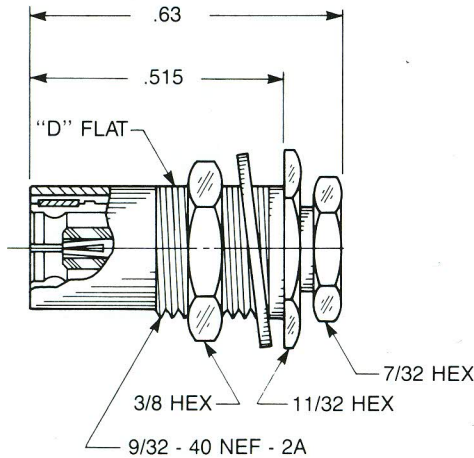




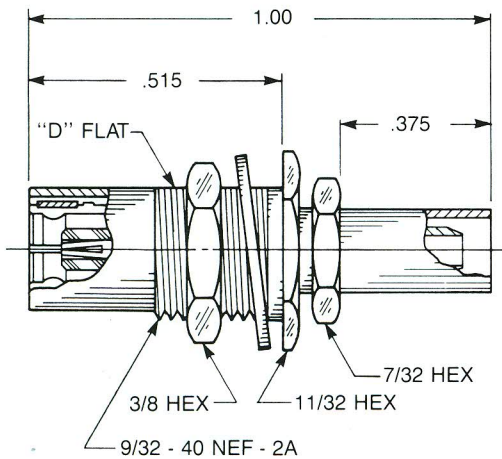
**Bulkhead Mounted Straight Cable Plug**



Clamp type for flexible cable:  
**2028-1551-0XX** (Gold plated)  
**2028-7551-0XX** (Nickel plated)

Solder-clamp for semi-rigid:  
**2028-1541-0XX** (Gold plated)  
**2028-7541-0XX** (Nickel plated)

**Bulkhead Mounted Straight Cable Plug**



Crimp type for flexible cable:  
**2028-1571-0XX** (Gold plated)  
**2028-7571-0XX** (Nickel plated)

Substitute the appropriate cable group for 'XX':			
02	RG178, RG196, M17/93, M17/169	09	.141" semi-rigid, RG402, M17/130
03	RG174, RG179, RG316, M17/113, M17/119, M17/172, M17/173	10	.085" semi-rigid, RG405, M17/133
05	RG178DS, RG196DS	19	RG174DS, RG316DS, M17/152, Times RD316

Designed for use with .093" max thick panel  
 e-mail: [aepsales@aepconnectors.com](mailto:aepsales@aepconnectors.com)

**AEP** New Haven, CT  
**203/776-2813**

