

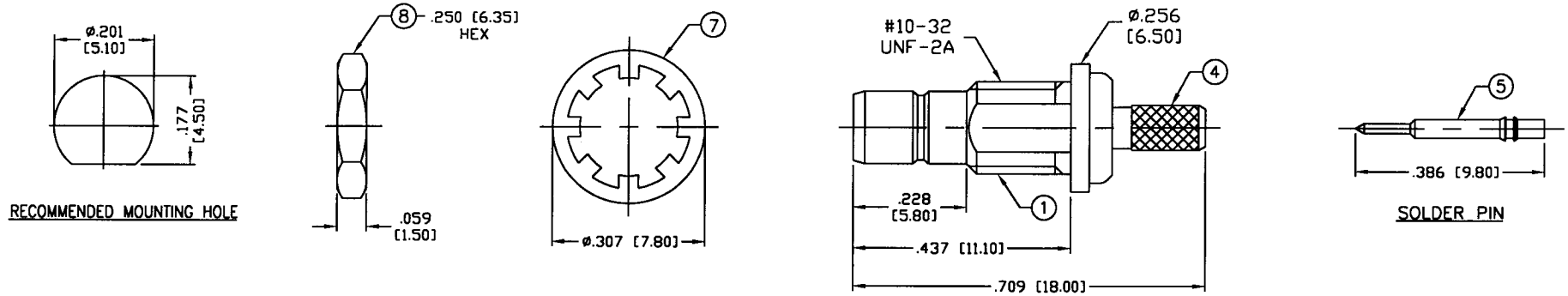
THIS DRAWING CONTAINS INFORMATION PROPRIETARY TO RF INDUSTRIES.
 ANY UNAUTHORIZED USE OF THIS DRAWING IS EXPRESSLY PROHIBITED
 WITHOUT WRITTEN PERMISSION FROM RF INDUSTRIES.
 ANY VIOLATION IS PUNISHABLE UNDER U.S. COPYRIGHT LAWS.

ALL DIMENSIONS ARE REFERENCE ONLY

PART NO.

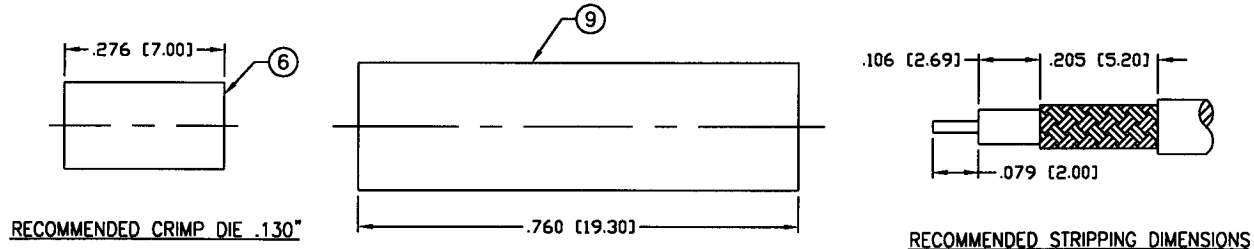
RSB-4252-1B

REV	DESCRIPTION	DWN	DATE	APPROVED
-	ENGINEERING RELEASE	CZS	3/3/03	JDMc



SPECIFICATIONS:

IMPEDANCE: 50 Ohms
 FREQUENCY RANGE: 0-4 GHz
 WORKING VOLTAGE: 335 V rms Max. @ Sea Level
 VSWR MAX: 1.15
 INSERTION LOSS(dB): $0.03 \times \sqrt{f(\text{GHz})}$
 CONTACT RESISTANCE: $\leq 6 \text{ m Ohm}$
 INSULATION RESISTANCE: 1k M Ohms min.
 TEMPERATURE RANGE: -65°C TO 165°C
 FOR RG-174, 188, 188A, 316/U, ALPHA 9174, 9316,
 BELDEN 8216, 83269, 83284, 84316 & TIMES LMR-100A CABLE



1	BODY	1	BRASS	GOLD, 3μ"
2	INSULATOR	1	PTFE	---
3	INSULATOR	1	PTFE	---
4	FERRULE STUD	1	BRASS	GOLD, 3μ"
5	PIN	1	BRASS	GOLD, 30μ"
6	FERRULE	1	COPPER	GOLD, 3μ"
7	LOCK WASHER	1	BRASS	GOLD, 3μ"
8	HEX NUT	1	BRASS	GOLD, 3μ"
9	TUBING	1	HEAT SHRINK	---
10				
11				
12				
13				
14				

008974	
DRAWN	C. ZUNIGA
CHECKED	JDMc 3-4-03
ORJ DRAWN	C. ZUNIGA
DATE	3/3/03

UNLESS OTHERWISE SPECIFIED:
 1. REMOVE ALL BURRS
 2. BREAK ALL CORNERS & EDGES .005 R. MAX.
 3. CHAMFER 1ST & LAST THREADS 45°
 4. SURFACE ROUGHNESS 63 FINISH MIL-STD-10
 5. DIAMETERS ON COMMON CENTERS TO BE CONCENTRIC WITHIN .002 T.I.R.
 6. ALL DIMENSIONS ARE AFTER PLATING.

DIMENSIONS ARE IN INCHES AND [MILLIMETERS]
 UNLESS OTHERWISE NOTED TOLERANCES ARE:
 DECIMALS DIAMETER
 .xxx±.003 [.08] .xxx±.001 [.03]
 .xx±.005 [.13] .xx±.003 [.08]

RF connectors
 DIVISION OF RF INDUSTRIES, LTD.

7610 MIRAMAR RD
 SAN DIEGO, CA 92126
 (858) 549-6340
 (858) 549-6345 FAX

SMB JACK, CRIMP
 BULKHEAD

SIZE	CABLE GROUP	DWG NO.	REV
A	B	RSB-4252-1B	-
SCALE: NTS		CAD FILE OUTLINE	SHEET 1 OF 1