

ENVELOPE / ASSEMBLY DRAWING

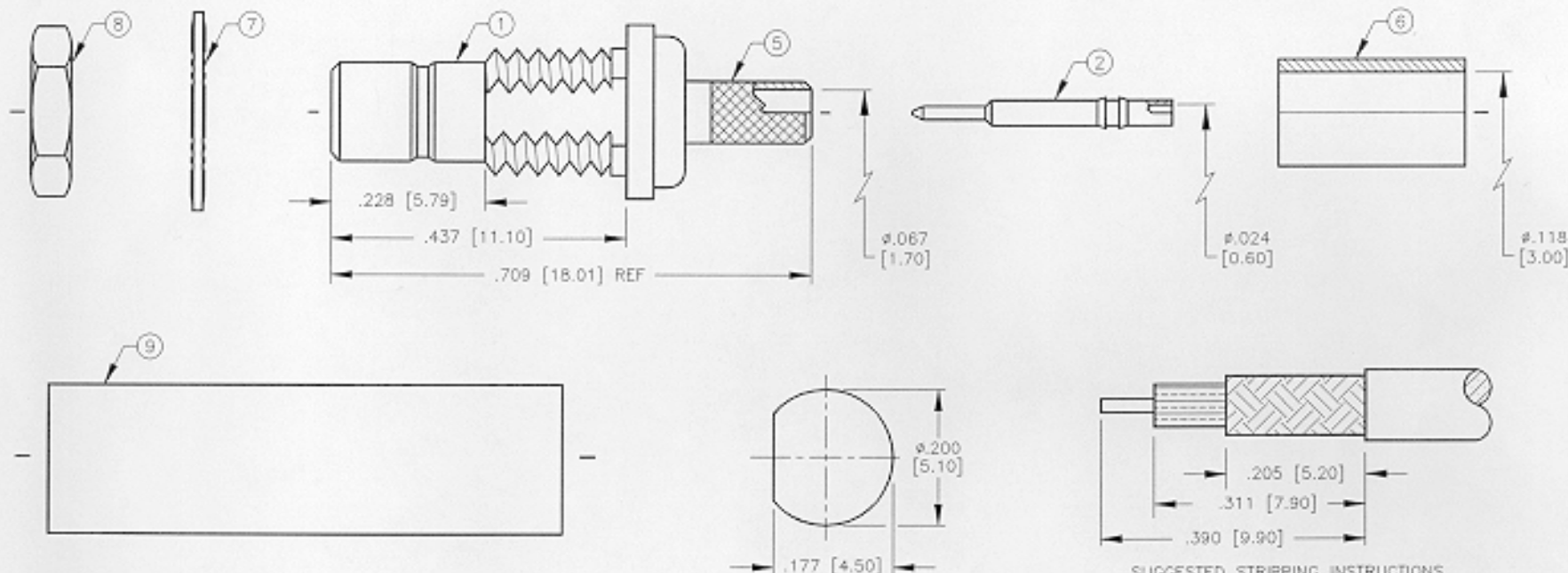
008974

SPECIFICATION CONTROL DRAWING

THIS DRAWING CONTAINS INFORMATION PROPRIETARY TO RF INDUSTRIES, LTD. ANY UNAUTHORIZED USE OF THIS DRAWING IS EXPRESSLY PROHIBITED. ANY VIOLATION IS PUNISHABLE UNDER U.S. COPYRIGHT LAWS.

REV	DESCRIPTION	DWN	DATE	APPROVED
A	ENGINEERING RELEASE	KMM	2/6/96	R. RICE
B	ENGINEERING RELEASE	CZS	11/20/97	R. RICE

ALL DIMENSIONS ARE REFERENCE ONLY



SUGGESTED STRIPPING INSTRUCTIONS

SUGGESTED CRIMP DIE: .130

PIN TO BE SOLDERED

IMPEDANCE: 50 OHMS
 WORKING VOLTAGE: 400 VRMS @ SEA LEVEL
 FREQUENCY RANGE: 0-4 GHz
 INSERTION LOSS: \leq .3dB MAX @ 1.5 GHz
 VSWR MAX: 1.3:1 @ 4 GHz
 FOR RG-174, 188, 188A, 316/U, ALPHA 9174, 9316,
 BELDEN 8216, 83269, 83284, 84316 & TIMES LMR-100 CABLE

DIMENSIONS ARE IN INCHES
 AND [MILLIMETERS]

UNLESS OTHERWISE NOTED
 TOLERANCES ARE:

DECIMALS DIAMETER

DRAWN	C. ZUNIGA	11/20/97
CHECKED	<i>[Signature]</i>	11/20/97
ORIG DRAWN	K. MAXWELL	2/6/96
APPROVALS		DATE

RFconnectors
 DIVISION OF RF INDUSTRIES, LTD.

7610 MIRAMAR RD
 SAN DIEGO, CA 92126
 (619)549-6340
 (619)549-6345 FAX

RSB-4252-B

SMB CRIMP JACK BULKHEAD

SIZE	CABLE GROUP	DWG NO.	REV
A	B	8602	B
SCALE: 4:1	CAD FILE 13ARC B	SHEET 1 OF 1	

ITEM	DESCRIPTION	QTY	MATERIAL	FINISH
9	TUBING	1	HEAT SHRINK	BLACK
8	HEX NUT	1	BRASS	NICKEL
7	LOCK WASHER	1	BRASS	NICKEL
6	FERRULE	1	COPPER	NICKEL
5	FERRULE STUD	1	BRASS	NICKEL
4	DIELECTRIC	1	TEFLON	NONE
3	DIELECTRIC	1	TEFLON	NONE
2	PIN	1	BRASS	GOLD
1	BODY	1	BRASS	NICKEL