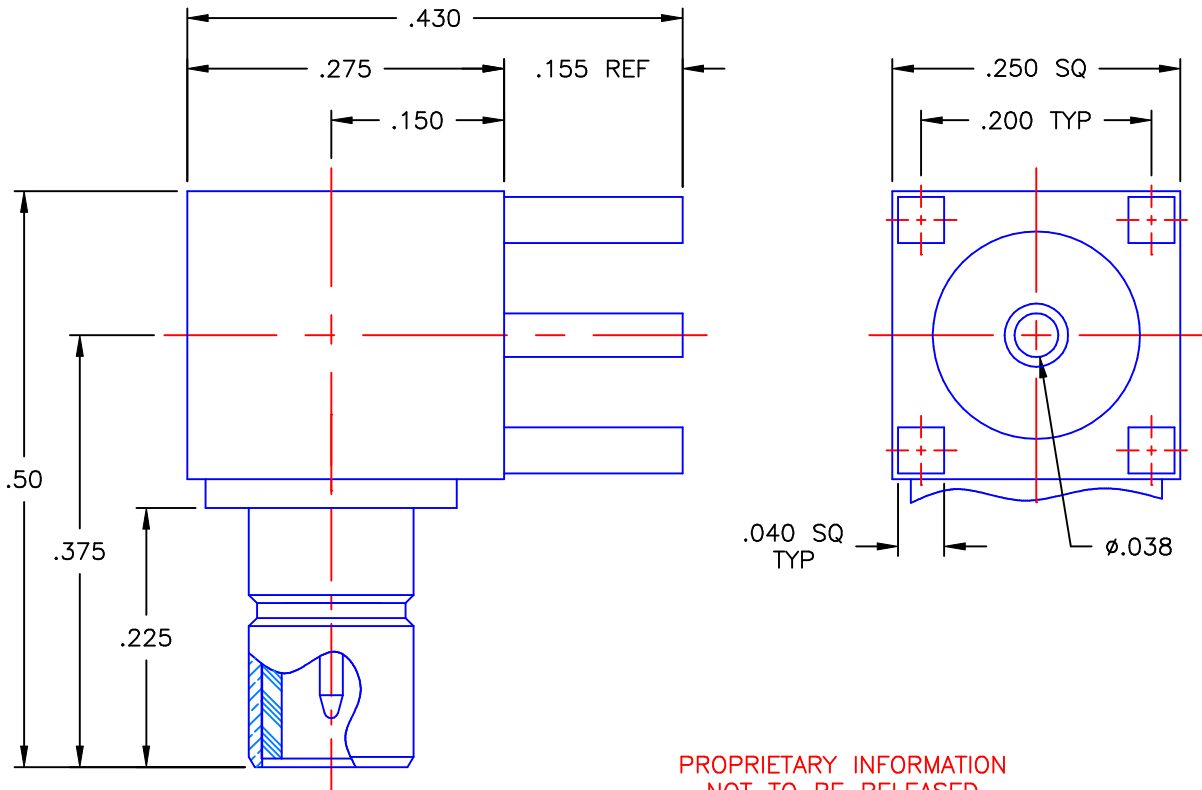


REVISIONS			
REV	DESCRIPTION	DATE	APPROVED
B	ECO #4098	04/27/01	A.D.M.



PROPRIETARY INFORMATION
 NOT TO BE RELEASED
 WITHOUT WRITTEN PERMISSION
 FROM AN AUTHORIZED
 REPRESENTATIVE OF
 APPLIED ENGINEERING PRODUCTS


NOTES: CONFORMS TO MIL-PRF-39012 SMB SERIES

MATERIALS:

1. INSULATORS = VIRGIN WHITE TEFLON PER ASTM D1710, GRADE 1, TYPE I, CLASS "A".
2. ALL OTHER METAL PARTS = BRASS PER ASTM B16, ALLOY C36000, TEMPER H02.

FINISHES:

1. CONTACTS = GOLD PLATE PER MIL-G-45204, TYPE II, CLASS 1, GRADE C, OVER .00010 TO .00020 STRESS FREE SULFAMATE NICKEL PER QQ-N-290.
2. ALL OTHER METAL PARTS = GOLD PLATE PER MIL-G-45204, TYPE II, CLASS 0, GRADE C, OVER .00010 TO .00020 COPPER STRIKE PER MIL-C-14550.

UNLESS OTHERWISE SPECIFIED DIMENSIONS ARE IN INCHES TOLERANCES ON		DWN: A.D.M.	DATE 04/27/01	 APPLIED ENGINEERING PRODUCTS 104 John W. Murphy Dr. New Haven, CT 06513
		CHKD: D.N.	DATE 04/27/01	
DECIMAL	ANGLE	APVD: D.J.C.	DATE 04/27/01	
REFERENCE:		MATERIALS & FINISHES: SEE NOTES		
ORIGINATOR: D.N. DATE: 12/09/96		SIZE A	FSCM NO. 19505	DWG. NO. 2010-1511-000
		SCALE 6:1		REV B
				SHEET 1 OF 1

2010-1511-000