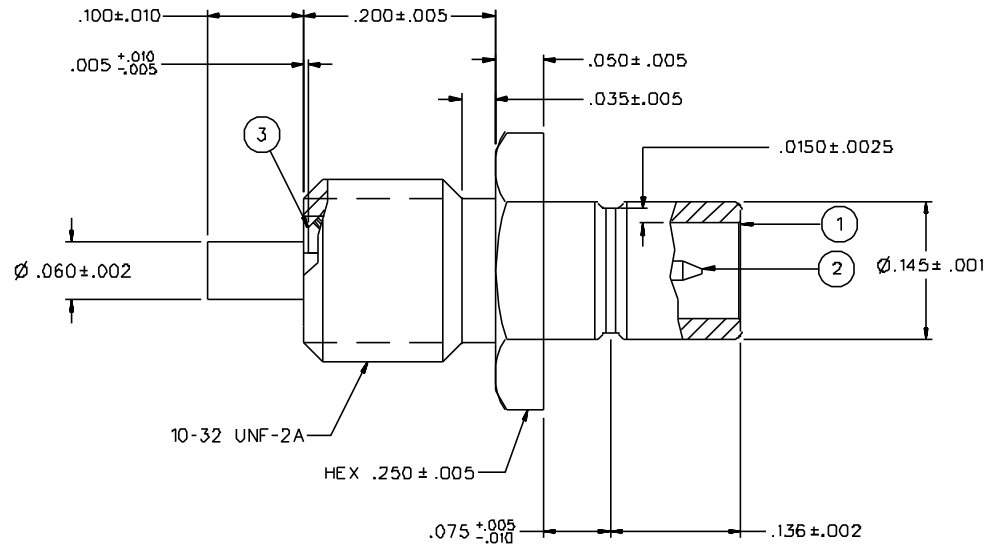


PART NUMBER	ITEM ① BODY	ITEM ② CONTACT	ITEM ③ INSULATOR
131-3701-441	BRASS GOLD PL .00001 MIN OVER NICKEL PL .00005 MIN OVER COPPER PL .00005 MIN	BRASS GOLD PL .00005 MIN OVER NICKEL PL .00005 MIN OVER COPPER PL .00005 MIN	TEFLON
131-3701-442	BRASS GOLD PL .00001 MIN OVER NICKEL PL .00005 MIN OVER COPPER PL .00005 MIN	BRASS GOLD PL .00005 MIN OVER NICKEL PL .00005 MIN OVER COPPER PL .00005 MIN	TEFLON
131-3701-446	BRASS NICKEL PL .0001 MIN OVER COPPER PL .00005 MIN	BRASS GOLD PL .00005 MIN OVER NICKEL PL .00005 MIN OVER COPPER PL .00005 MIN	TEFLON



NOTES:

1. SPECIFICATIONS:

IMPEDANCE: 50 OHMS
 FREQUENCY RANGE: 0-4 GHz
 VSWR: 1.3 MAX
 WORKING VOLTAGE: 335 VRMS MAX AT SEA LEVEL
 DIELECTRIC WITHSTANDING VOLTAGE: 1000 VRMS MIN AT SEA LEVEL
 INSULATION RESISTANCE: 1000 MEGOHM MIN
 CONTACT RESISTANCE:
 CENTER CONTACT - INITIAL 6 MILLIOHM MAX, AFTER ENVIRONMENTAL 8 MILLIOHM MAX
 OUTER CONDUCTOR - GOLD PLATED INITIAL 1 MILLIOHM MAX, AFTER ENVIRONMENTAL 1.5 MILLIOHM MAX
 NICKEL PLATED INITIAL 2.5 MILLIOHM MAX, AFTER ENVIRONMENTAL 3.5 MILLIOHM MAX
 BRAID TO BODY - NOT APPLICABLE
 CORONA LEVEL: NOT APPLICABLE
 INSERTION LOSS: NOT APPLICABLE
 RF LEAKAGE: NOT APPLICABLE
 RF HIGH POTENTIAL WITHSTANDING VOLTAGE: 600 VRMS AT 4 AND 7 MHZ

MECHANICAL:

ENGAGE/DISENGAGE FORCE: INITIAL 14 LBS MAX, AFTER DURABILITY 14 LBS MAX
 ENGAGEMENT, 3 LB MIN DISENGAGEMENT
 MATING TORQUE: NOT APPLICABLE
 COUPLING PROOF TORQUE: NOT APPLICABLE
 COUPLING NUT RETENTION: NOT APPLICABLE
 CONTACT RETENTION: 4 LBS MIN AXIAL FORCE FROM REAR, 6 LBS MIN FROM FRONT, 2 IN-OZ MIN TORQUE
 CABLE ACCEPTABILITY: NOT APPLICABLE
 CABLE HEX CRIMP SIZE: NOT APPLICABLE
 CABLE RETENTION: NOT APPLICABLE
 DURABILITY: 500 CYCLES MIN

ENVIRONMENTAL:

(MEETS OR EXCEEDS THE APPLICABLE PARAGRAPH OF MIL-C-39012)
 THERMAL SHOCK: MIL-STD-202, METHOD 107, CONDITION B
 OPERATING TEMPERATURE: -65 DEC C TO 165 DEC C
 CORROSION: MIL-STD-202, METHOD 101, CONDITION B
 SHOCK: MIL-STD-202, METHOD 213, CONDITION B
 VIBRATION: MIL-STD-202, METHOD 204, CONDITION B

DRAWING NO. C - 131-3701-441/450			
0 REVISIONS			
ENGINEERING RELEASE			
1	11-21-96	R H A	12-6-96 ECN 44505
VERSION UPDATE			
1a	12-11-96	R H A	12-16-96 ECN 44508
CHANGED: .256+- .010 WAS .291+- .010			
2	2-10-97	R H A	ECN 44614
ADDED: 2 IN-OZ MIN TORQUE TO CONTACT RETENTION SPEC			
2a	9-25-98	R H A	ECN 45875
ADDED: P/N'S 131-3701-441 & -446, DIA .144+- .002, .0150+- .0025			
3	5-20-99	R H A	ECN 46410
VERSION UPDATE			
3d	8-3-99	R H A	ECN 46618
CHANGED: .005+- .010-.005 WAS .005+- .005-.050+- .005 WAS .050+- .010, DIA .145+- .001 WAS DIA .145+- .002 DELETED: .256+- .010 ADDED: .136+- .002, .075+- .005-.010 * REVISION NUMBER FOLLOWED BY AN ALPHABETIC CHARACTER INDICATED DRAWING CLARIFICATION * * CAUTION ON PART NUMBER ADDITION ONLY. *			
3b	3-14-00	R H A	ECN 47023

CUSTOMER DRAWING

THIS DRAWING TO BE INTERPRETED PER ANSI Y 14.5M - 1982

"μSTATION"

COMPANY CONFIDENTIAL

TOLERANCE UNLESS OTHERWISE SPECIFIED	DRAWN BY RJB	DATE 11-18-96	299 Johnson Ave. P.O. Box 1732 Waseca, MN 56093-0832	
DECIMALS .XX	CHECKED BY RJB	DATE 11-21-96	TITLE JACK ASSEMBLY, FRONT MOUNT BULKHEAD, SMB	
XXX	APPROVED BY RJB	DATE 11-21-96	CODE NO.	DRAWING NO. C - 131-3701-441/450
FINISH	APPROVED BY	DATE	RELEASE DATE 12-6-96	SCALE 10:1 U/M INCH SHEET 2 OF 2