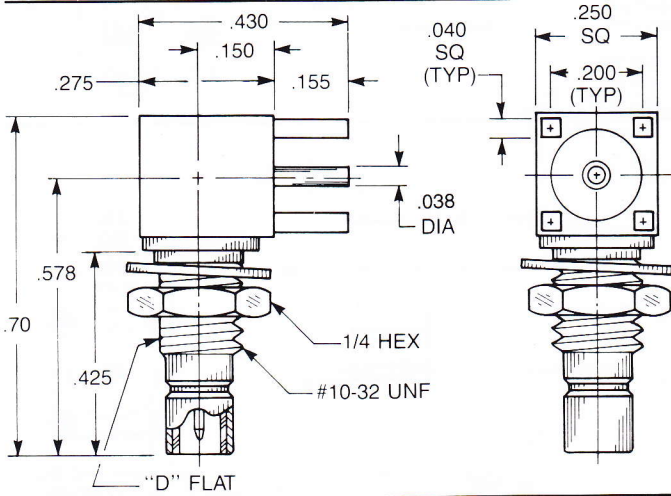


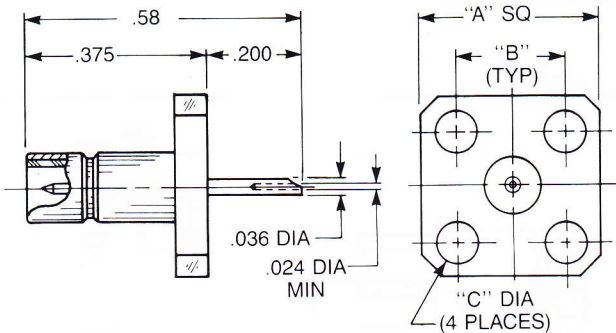
**Bulkhead Mounted
Straight Male Jack
P.C. Board Receptacle**

- 2109-1511-000 (Gold plated)
- 2109-7511-000 (Nickel plated)



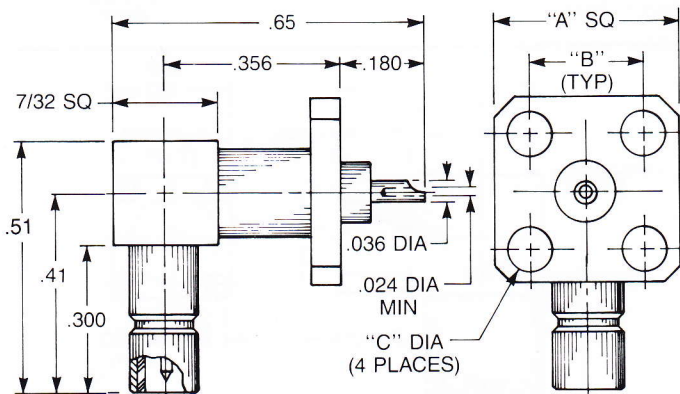
**Bulkhead Mounted
Right Angle Male Jack
P.C. Board Receptacle**

- 2110-1511-000 (Gold plated)
- 2110-7511-000 (Nickel plated)



**Straight Male
Panel Receptacle**

A sq.	B	C dia.
.500	.340	.102
2486-1511-000 (Gold plated)		
2486-7511-000 (Nickel plated)		
A sq.	B	C dia.
.375	.232	.093
2484-1511-000 (Gold plated)		
2484-7511-000 (Nickel plated)		



**Right Angle Male
Panel Receptacle**

A sq.	B	C dia.
.500	.340	.102
2490-1511-000 (Gold plated)		
2490-7511-000 (Nickel plated)		
A sq.	B	C dia.
.375	.232	.093
2488-1511-000 (Gold plated)		
2488-7511-000 (Nickel plated)		