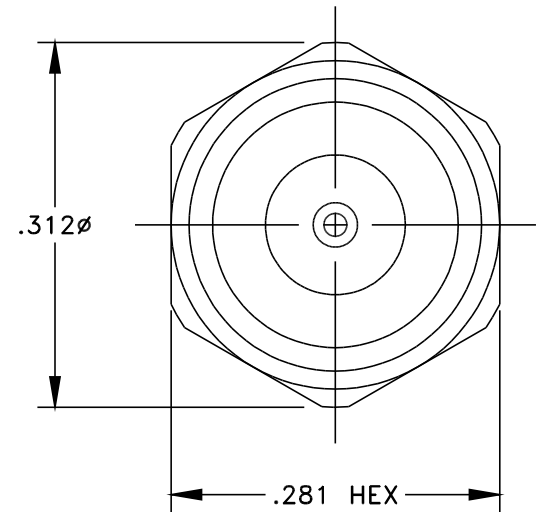
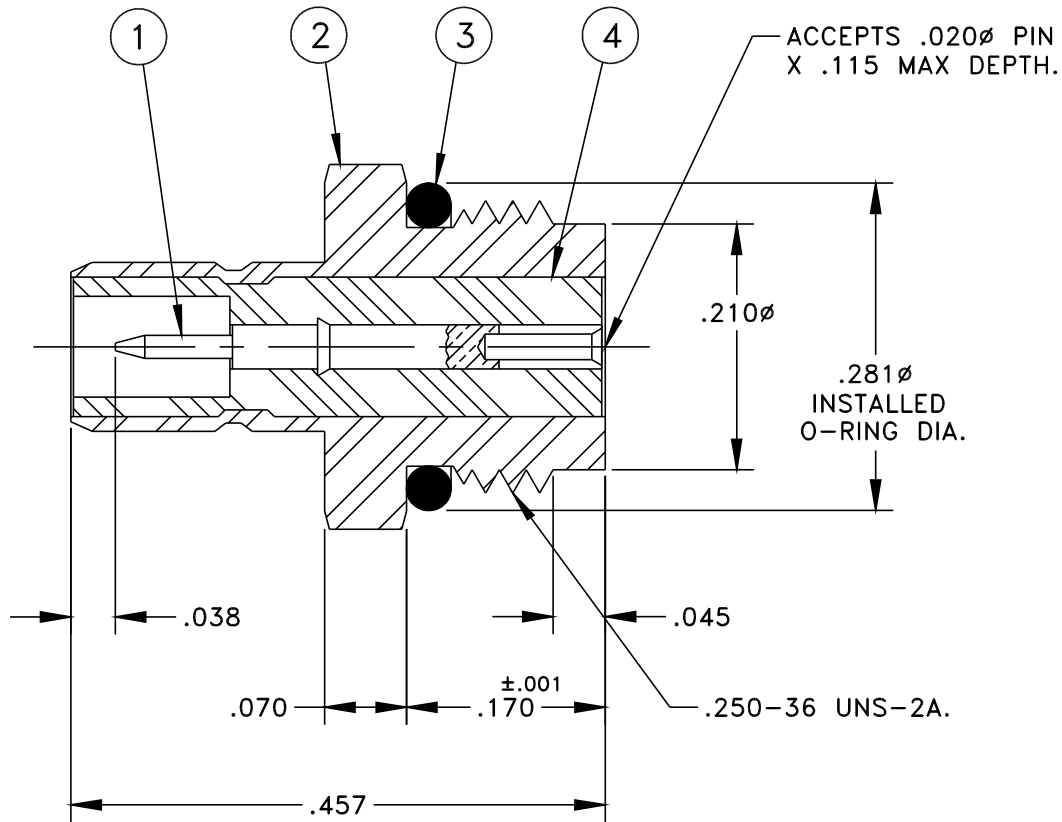


DASH #	BODY MATERIAL	BODY FINISH	CONTACT FINISH	O-RING MATERIAL
-1	STAINLESS STEEL	PASSIVATED	GOLD	SILICONE

THIS DOCUMENT CONTAINS PROPRIETARY INFORMATION & MAY NOT BE REPRODUCED OR DISCLOSED TO OTHERS WITHOUT WRITTEN CONSENT FROM CONNECTRONICS, INC.



REVISIONS

		FSCM 43608
		TOLERANCES UNLESS OTHERWISE SPECIFIED
DWG BY: JOHN B	DATE: 11/7/06	2 PL DEC $\pm .020$
APVD BY:	SCALE: _____	3 PL DEC $\pm .005$
MATERIAL: _____		ANG. DIM $\pm 1/2^\circ$
FINISH: _____		
DESCRIPTION: SMB JACK, FIELD REPLACEABLE		DRAWING NO. 55-415 SHT 1 OF 1