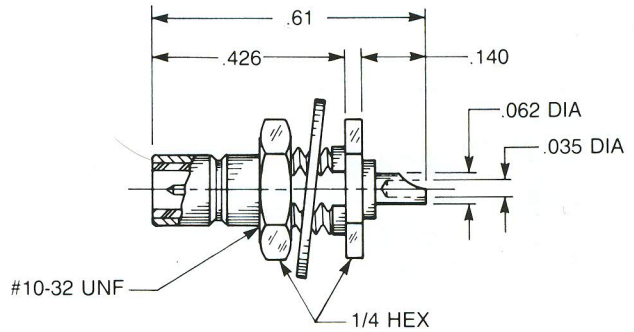




**Straight Male Bulkhead Jack Receptacle**

- Solder pot contact
- Rear mount

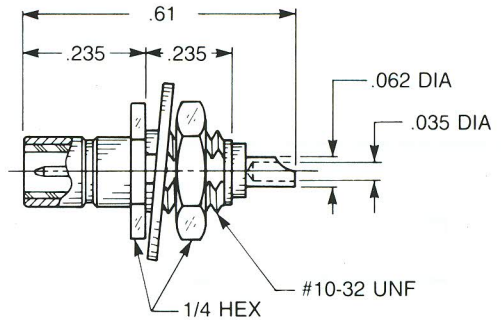
2004-1511-000 (Gold plated)  
 2004-7511-000 (Nickel plated)  
 QPL version available (M39012/71)



**Straight Male Bulkhead Jack Receptacle**

- Solder pot contact
- Front mount

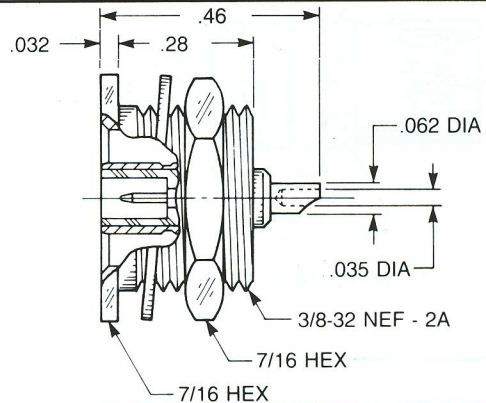
2019-1511-000 (Gold plated)  
 2019-7511-000 (Nickel plated)  
 QPL version available (M39012/71)



**Straight Male Bulkhead Jack Receptacle**

- Solder pot contact
- Recessed front mount

2014-1511-000 (Gold plated)  
 2014-7511-000 (Nickel plated)



**Right Angle Male Bulkhead Jack Receptacle**

- Solder pot contact
- Front mount

2012-1511-000 (Gold plated)  
 2012-7511-000 (Nickel plated)

