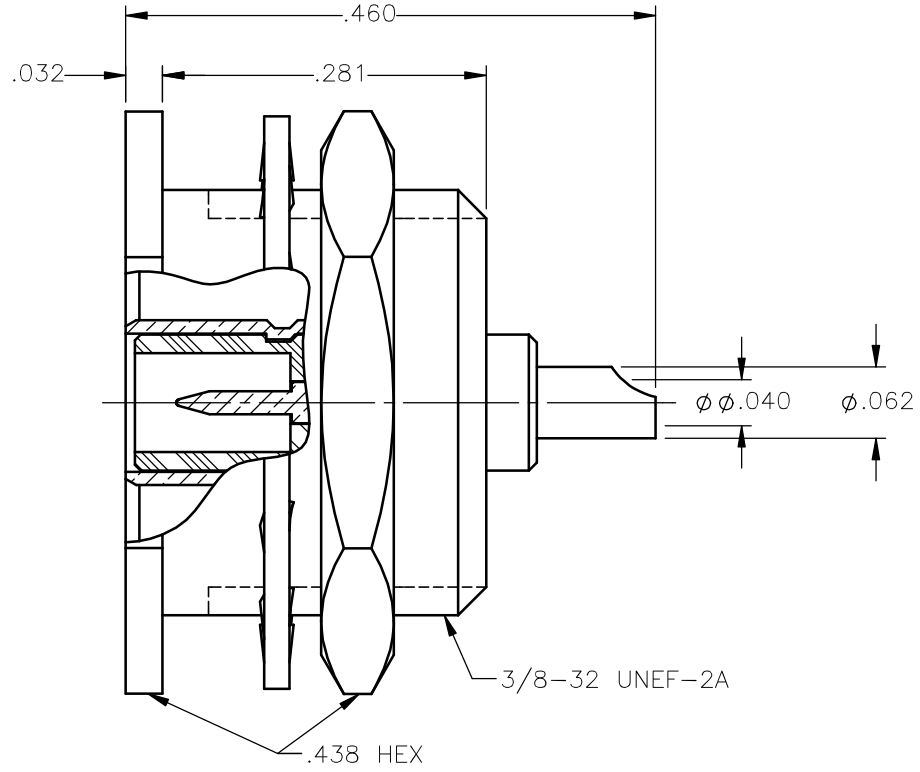


REVISIONS			
REV.	DESCRIPTION	DATE	APPROVED
A	INITIAL RELEASE	03/26/12	D.N.





NOTES:

MATERIALS:

1. INSULATOR = VIRGIN WHITE TEFLON PER ASTM D1710, GRADE 1, TYPE I, CLASS "B".
2. LOCKWASHER = PHOSPHOR BRONZE PER ASTM B139, COPPER ALLOY C53400, TEMPER H04.
3. ALL OTHER METAL PARTS = BRASS PER ASTM B16, ALLOY C36000, TEMPER H02.

FINISHES:

1. CONTACT = GOLD PLATE PER MIL-G-45204, TYPE II, CLASS 1, GRADE C, OVER .00010 TO .00020 STRESS FREE SULFAMATE NICKEL PER QQ-N-290.
2. ALL OTHER METAL PARTS = NICKEL PLATE PER QQ-N-290, CLASS 1, GRADE G, EXCEPT .0001 TO .0002 THICK OVER .00005 TO .0001 THICK COPPER PER MIL-C-14550.

UNLESS OTHERWISE SPECIFIED DIMENSIONS ARE IN INCHES TOLERANCES ON	DWN:	DATE		Property of Radiall		
	D.N.	03/26/12		This document cannot be reproduced or communicated to a third party without prior written permission of RADIALL.		
DECIMAL	ANGLE	CHKD:	DATE	SMB STRAIGHT MALE JACK RECESSED BULKHEAD FRONT MOUNT SOLDER POT RECEPTACLE		
		J.S.	03/26/12			
		APVD:	DATE	SIZE		
		J.M.	03/26/12			
REFERENCE:	MATERIALS & FINISHES:		FSCM NO.	DWG NO.	REV	
ORIGINATED: D.N. DATE: 03/26/12	SEE NOTES		19505	2014-7511-000	A	
			SCALE 6:1	THIRD ANGLE PROJECTION	SHEET 1 OF 1	

2014-7511-000