

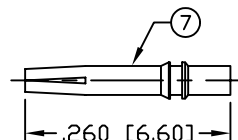
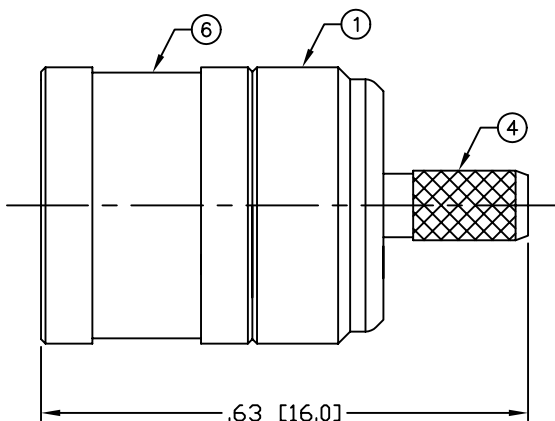
THIS DRAWING CONTAINS INFORMATION PROPRIETARY TO RF INDUSTRIES,  
 ANY UNAUTHORIZED USE OF THIS DRAWING IS EXPRESSLY PROHIBITED  
 WITHOUT WRITTEN PERMISSION FROM RF INDUSTRIES.  
 ANY VIOLATION IS PUNISHABLE UNDER U.S. COPYRIGHT LAWS.

ALL DIMENSIONS ARE REFERENCE ONLY

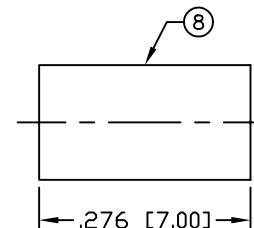
PART NO.

# RSB-300-1-179

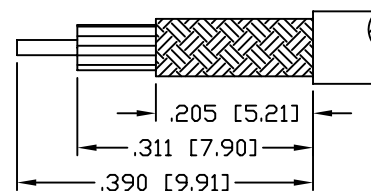
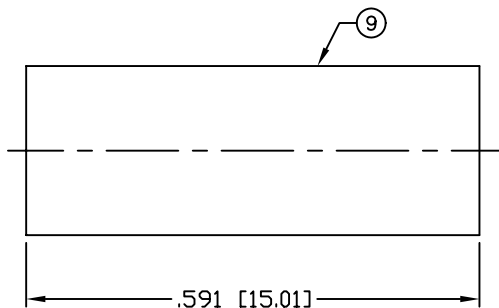
REV	DESCRIPTION	DWN	DATE	APPROVED
-	ENGINEERING RELEASE	CZS	7/25/00	JDMc
A	ADD CRIMP DIE DIMS / CHG. #9 DIM / UPDATE MAT & FINISH	CZS	11/5/04	JDMc



RECOMMENDED SOLDER  
 IF CRIMPING USE RFA-4089 CRIMP TOOL



RECOMMENDED CRIMP DIE: .130"



RECOMMENDED STRIPPING DIMENSIONS

## SPECIFICATIONS:

IMPEDANCE: 75 OHMS  
 FREQUENCY: DC-4 GHz  
 FOR RG-179/U

1	BODY	1	BRASS	GOLD, 3μ"	008974	
2	INSULATOR	1	PTFE	---		
3	INSULATOR	1	PTFE	---		
4	FERRULE STUD	1	BRASS	NICKEL, 100μ"		
5	RETAINING RING	1	Be. Cu.	---		
6	SHELL	1	BRASS	NICKEL, 100μ"		
7	CONTACT	1	Be. Cu.	GOLD, 30μ"		
8	FERRULE	1	COPPER	NICKEL, 100μ"		
9	TUBING	1	HEAT SHRINK	---		
10					DRAWN	
11					C. ZUNIGA	
12					11/5/04	
13					CHECKED	
14						
					ORJ DRAWN	
					C. ZUNIGA	
					7/18/98	
#	DESCRIPTION	QTY	MATRL	FINISH	APPROVALS	DATE

UNLESS OTHERWISE SPECIFIED:

DIMENSIONS ARE IN INCHES  
 AND [MILLIMETERS]  
 UNLESS OTHERWISE NOTED  
 TOLERANCES ARE:  
 DECIMALS      DIAMETER

**RFconnectors**  
 DIVISION OF RF INDUSTRIES, LTD.

7610 MIRAMAR RD  
 SAN DIEGO, CA 92126  
 (858) 549-6340  
 (858) 549-6345 FAX

## SMB PLUG, CRIMP

75 OHM (SMZ)

SIZE	CABLE GROUP	DWG NO.	REV
A	179 (S)	RSB-300-1-179	A
SCALE:	NTS	CAD FILE	OUTLINE
		SHEET	1 OF 1