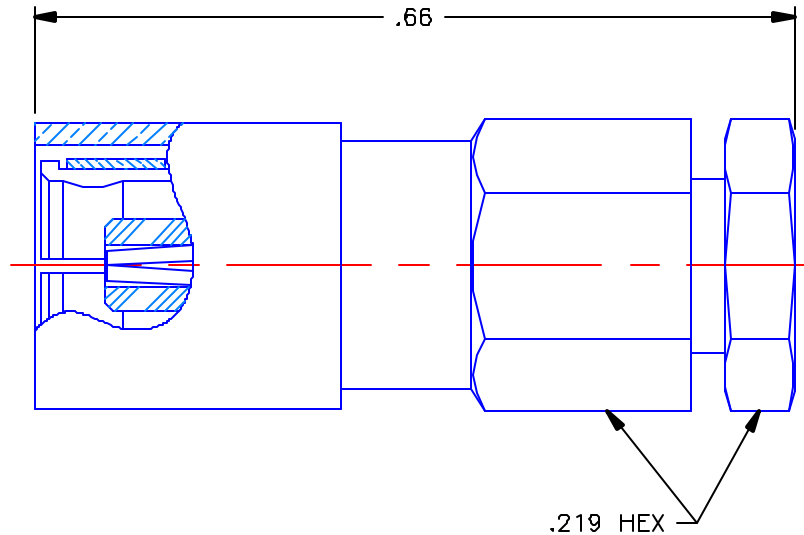


PROPRIETARY INFORMATION
 NOT TO BE RELEASED
 WITHOUT WRITTEN PERMISSION
 FROM AN AUTHORIZED
 REPRESENTATIVE OF
 APPLIED ENGINEERING PRODUCTS

REVISIONS			
REV	DESCRIPTION	DATE	APPROVED
-	INITIAL RELEASE	10/15/03	D.N.




NOTES: COMFORMS TO MIL-C-39012 SMB SERIES.

MATERIALS:

- CONTACT & SPRING = BERYLLIUM COPPER PER ASTM B196, ALLOY C17300, TEMPER TD04.
- INSULATORS = VIRGIN WHITE TEFLON PER ASTM D1710, GRADE 1, TYPE I, CLASS "B".
- ALL OTHER METAL PARTS = BRASS PER ASTM B16, ALLOY C36000, TEMPER H02

FINISHES:

- CONTACT = GOLD PLATE PER MIL-G-45204, TYPE II, CLASS 1, GRADE C, OVER .00010 TO .00020 STRESS FREE SULFAMATE NICKEL PER QQ-N-290.
- SPRING = NICKEL PLATE PER QQ-N-290, CLASS 1, GRADE G, EXCEPT .0001 TO .0002 THICK OVER .00005 TO .0001 THICK COPPER PER MIL-C-14550.
- ALL OTHER METAL PARTS = GOLD PLATE PER MIL-G-45204, TYPE II, CLASS 0, GRADE C, OVER .00010 TO .00020 COPPER STRIKE PER MIL-C-14550

UNLESS OTHERWISE SPECIFIED DIMENSIONS ARE IN INCHES TOLERANCES ON		DWN:	DATE	 APPLIED ENGINEERING PRODUCTS 104 John W. Murphy Dr. New Haven, CT 06513
		D.N.	10/14/03	
DECIMAL	ANGLE	CHKD:	DATE	SMB STRAIGHT FEMALE PLUG SOLDER-CLAMP TYPE FOR .085 SEMI-RIGID CABLE
		A.D.M.	10/15/03	
REFERENCE:		APVD:	DATE	SIZE FSCM NO. DWG. NO. REV A 19505 2002-1541-010 - SCALE 6:1 SHEET 1 OF 1
		D.J.C.	10/15/03	
ORIGINATOR: D.N. DATE: 10/14/03		MATERIALS & FINISHES: SEE NOTES		

2002-1541-010