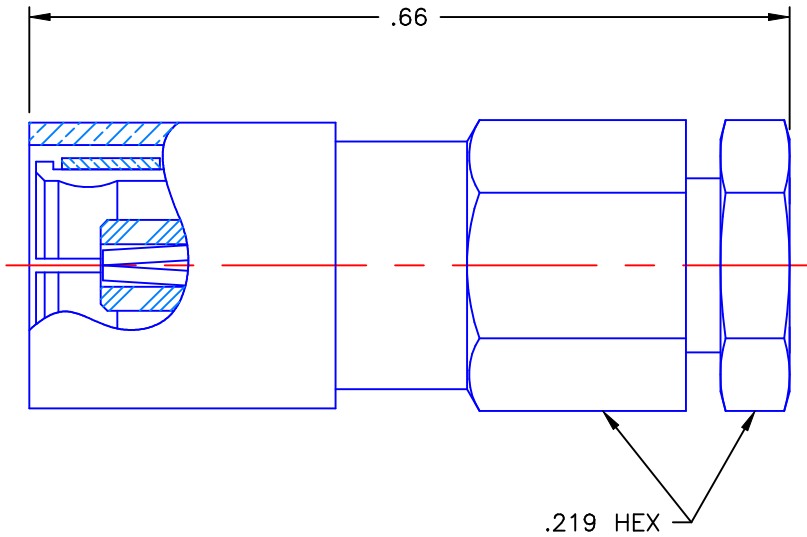


| REVISIONS | | | |
|-----------|-----------------|----------|----------|
| REV | DESCRIPTION | DATE | APPROVED |
| A | INITIAL RELEASE | 04/01/10 | A.D.M. |



NOTES: COMFORMS TO MIL-C-39012 SMB SERIES.

MATERIALS:

1. CONTACT & SPRING = BERYLLIUM COPPER PER ASTM B196, ALLOY C17300, TEMPER TD04.
2. INSULATORS = VIRGIN WHITE TEFLON PER ASTM D1710, GRADE 1, TYPE I, CLASS "B".
3. ALL OTHER METAL PARTS = BRASS PER ASTM B16, ALLOY C36000, TEMPER H02.

FINISHES:

1. CONTACT = GOLD PLATE PER MIL-G-45204, TYPE II, CLASS 1, GRADE C, OVER .00010 TO .00020 STRESS FREE SULFAMATE NICKEL PER QQ-N-290.
2. SOLDER FITTING = GOLD PLATE PER MIL-G-45204, TYPE II, CLASS 0, GRADE C, OVER .00010 TO .00020 COPPER STRIKE PER MIL-C-14550.
3. ALL OTHER METAL PARTS = NICKEL PLATE PER QQ-N-290, CLASS 1, GRADE G, EXCEPT .0001 TO .0002 THICK OVER .00005 TO .0001 THICK COPPER PER MIL-C-14550.

Property of Radiall Incorporated
This document cannot be reproduced or communicated to a third party without prior written permission of RADIALL Incorporated.

| | | | |
|---|--------|----------|----------|
| UNLESS OTHERWISE SPECIFIED DIMENSIONS ARE IN INCHES TOLERANCES ON | DWN: | DATE | |
| | A.D.M. | 04/01/10 | |
| | CHKD: | DATE | |
| DECIMAL | ANGLE | D.N. | 04/01/10 |
| | | APVD: | DATE |
| | | J.M. | 04/01/10 |



APPLIED ENGINEERING PRODUCTS

104 John W. Murphy Dr.
New Haven, CT 06513

SMB STRAIGHT FEMALE PLUG
SOLDER-CLAMP TYPE
FOR .085 S/R & SIMILAR CABLES

| | | | | | |
|--------------------------------------|-----------------------|-----------|----------|------------------------|--------------|
| REFERENCE: | MATERIALS & FINISHES: | SIZE | FSCM NO. | DWG. NO. | REV |
| ORIGINATOR: A.D.M. DATE: 04/01/10 | SEE NOTES | A | 19505 | 2002-7541-010 | A |
| | | SCALE 6:1 | | THIRD ANGLE PROJECTION | SHEET 1 OF 1 |

2002-7541-010