

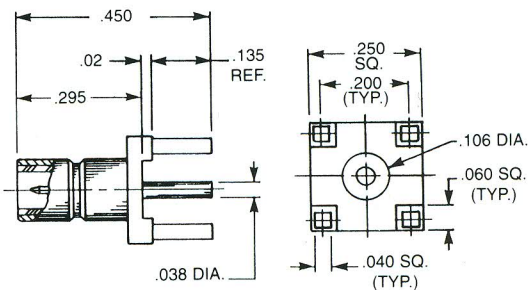
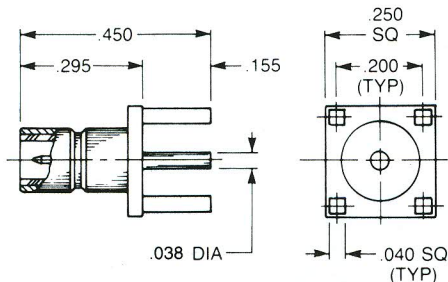


**Straight Male Jack Receptacle**

2009-1511-000 (Gold plated)  
2009-7511-000 (Nickel plated)

2009-1511-050 (Gold plated)  
2009-7511-050 (Nickel plated)

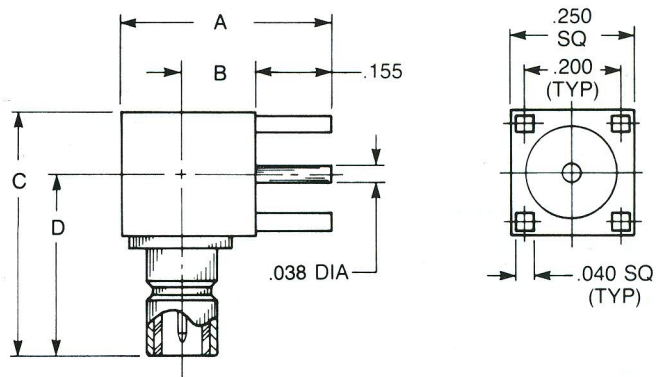
QPL version available (M39012/95)



**Right Angle Male Jack Receptacle**

A	B	C	D
.43	.15	.50	.38
2010-1511-000 (Gold plated)			
2010-7511-000 (Nickel plated)			

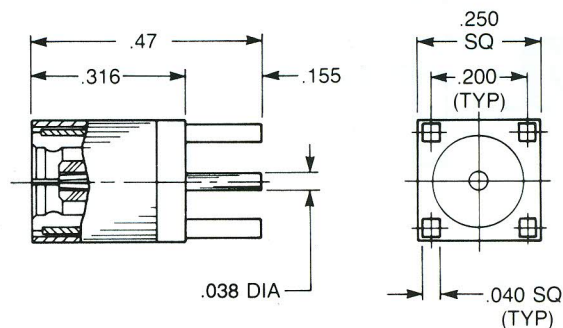
A	B	C	D
.50	.215	.56	.437
2010-1511-002 (Gold plated)			
2010-7511-002 (Nickel plated)			



QPL version available (M39012/96)

**Straight Female Plug Receptacle**

2025-1511-000 (Gold plated)  
2025-7511-000 (Nickel plated)



**Right Angle Female Plug Receptacle**

2042-1511-000 (Gold plated)  
2042-7511-000 (Nickel plated)

