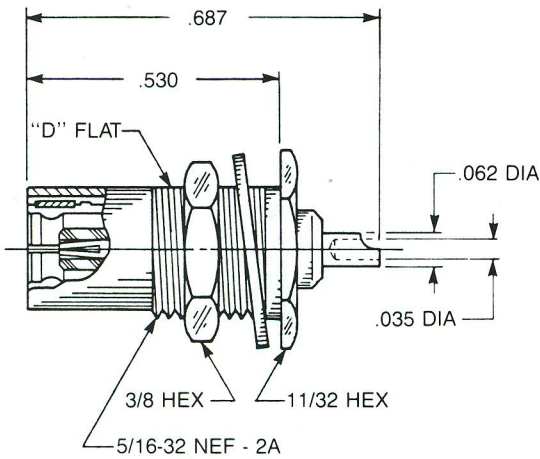


**Straight Female Bulkhead Plug Receptacle**

- Solder pot contact
- Front mount

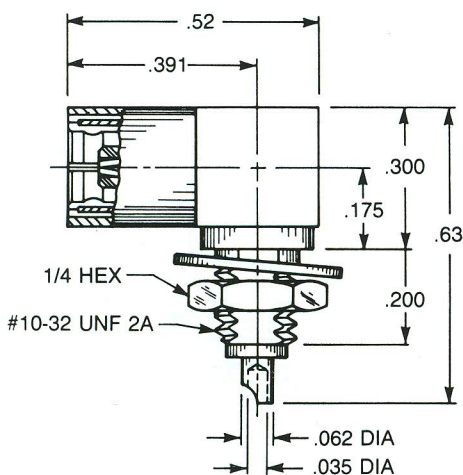
2017-1511-000 (Gold plated)  
2017-7511-000 (Nickel plated)



**Straight Female Bulkhead Plug Receptacle**

- Solder pot contact
- Rear mount

2048-1511-000 (Gold plated)  
2048-7511-000 (Nickel plated)



**Right Angle Female Bulkhead Plug Receptacle**

- Solder pot contact
- Front mount

2097-1511-000 (Gold plated)  
2097-7511-000 (Nickel plated)

Designed for use with .093" max thick panel

e-mail: [aepsales@aepconnectors.com](mailto:aepsales@aepconnectors.com)

**AEP** New Haven, CT  
203/776-2813

