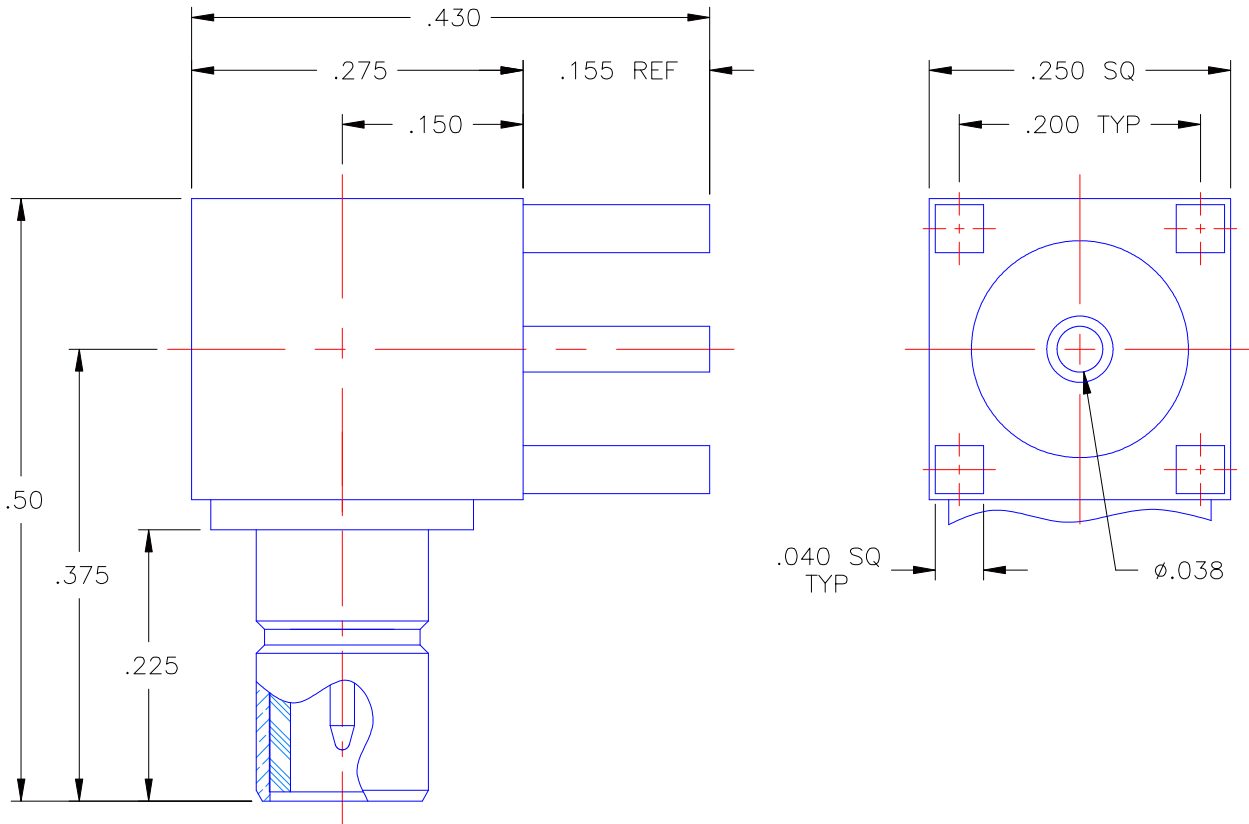


REVISIONS			
REV	DESCRIPTION	DATE	APPROVED
A	INITIAL RELEASE	6/1/11	J.S.



NOTES: CONFORMS TO MIL-PRF-39012 SMB SERIES

MATERIALS:

1. INSULATORS = VIRGIN WHITE TEFLON PER ASTM D1710, GRADE 1, TYPE I, CLASS "A".
2. ALL OTHER METAL PARTS = BRASS PER ASTM B16, ALLOY C36000, TEMPER H02.

FINISHES:

1. CONTACTS = GOLD PLATE PER MIL-G-45204, TYPE II, CLASS 1, GRADE C, OVER .00010 TO .00020 STRESS FREE SULFAMATE NICKEL PER QQ-N-290.
2. ALL OTHER METAL PARTS = NICKEL PLATE PER QQ-N-290, CLASS 1, GRADE G, EXCEPT .0001 TO .0002 THICK OVER .00005 TO .0001 THICK COPPER PER MIL-C-14550.

UNLESS OTHERWISE SPECIFIED
DIMENSIONS ARE IN INCHES
TOLERANCES ON

DWN:	DATE
J.S.	6/1/11
CHKD:	DATE
D.N.	6/1/11
APVD:	DATE
J.M.	6/1/11



Property of Radiall
This document cannot be reproduced or
communicated to a third party without prior
written permission of RADIALL.



SMB RIGHT ANGLE MALE JACK
P.C.B. MOUNT RECEPTACLE

REFERENCE:

MATERIALS & FINISHES:
SEE NOTES

ORIGINATOR: J.S.
DATE: 6/1/11

SIZE	FSCM NO.	DWG. NO.	REV
A	19505	2010-7511-000	A
SCALE 6:1		SHEET 1 OF 1	

2010-7511-000