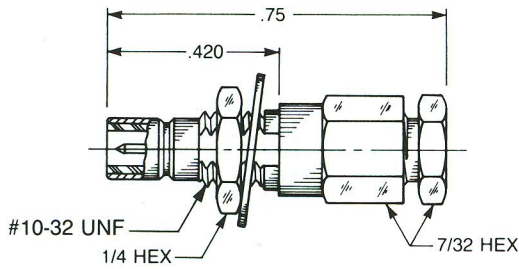


Straight Male Bulkhead Cable Jack

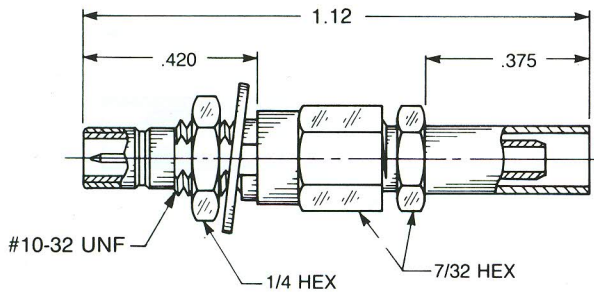


Clamp type for flexible cable:
2003-1551-0XX (Gold plated)
2003-7551-0XX (Nickel plated)

Solder-clamp for semi-rigid cable:
2003-1541-0XX (Gold plated)
2003-7541-0XX (Nickel plated)

QPL version available (M39012/70)

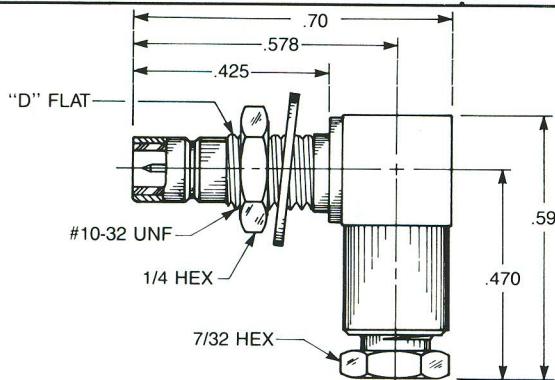
Straight Male Bulkhead Cable Jack



Crimp type for flexible cable:
2003-1571-0XX (Gold plated)
2003-7571-0XX (Nickel plated)

QPL version available (M39012/70)

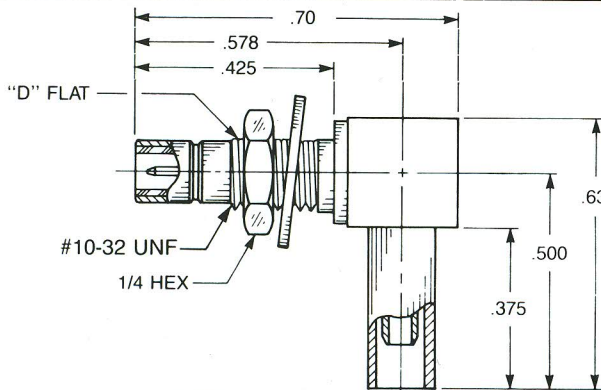
Bulkhead Mounted Right Angle Male Cable Jack



Clamp type for flexible cable:
2006-1551-0XX (Gold plated)
2006-7551-0XX (Nickel plated)

Solder-clamp for semi-rigid cable:
2006-1541-0XX (Gold plated)
2006-7541-0XX (Nickel plated)

Bulkhead Mounted Right Angle Male Cable Jack



Crimp type for flexible cable:
2106-1521-0XX (Gold plated)
2106-7521-0XX (Nickel plated)

Substitute the appropriate cable group for 'XX':

02	RG178, RG196, M17/93, M17/169	09	.141" semi-rigid, RG402, M17/130
03	RG174, RG179, RG316, M17/113, M17/119, M17/172, M17/173	10	.085" semi-rigid, RG405, M17/133
05	RG178DS, RG196DS	19	RG174DS, RG316DS, M17/152, Times RD316

Designed for use with .093" max thick panel
 See page 143 for D flat location in relation to hex.

AEP New Haven, CT
 203/776-2813

