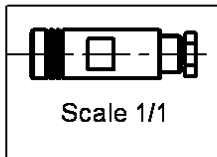
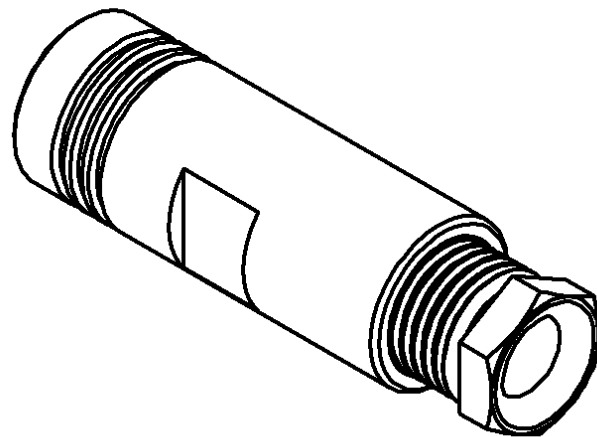
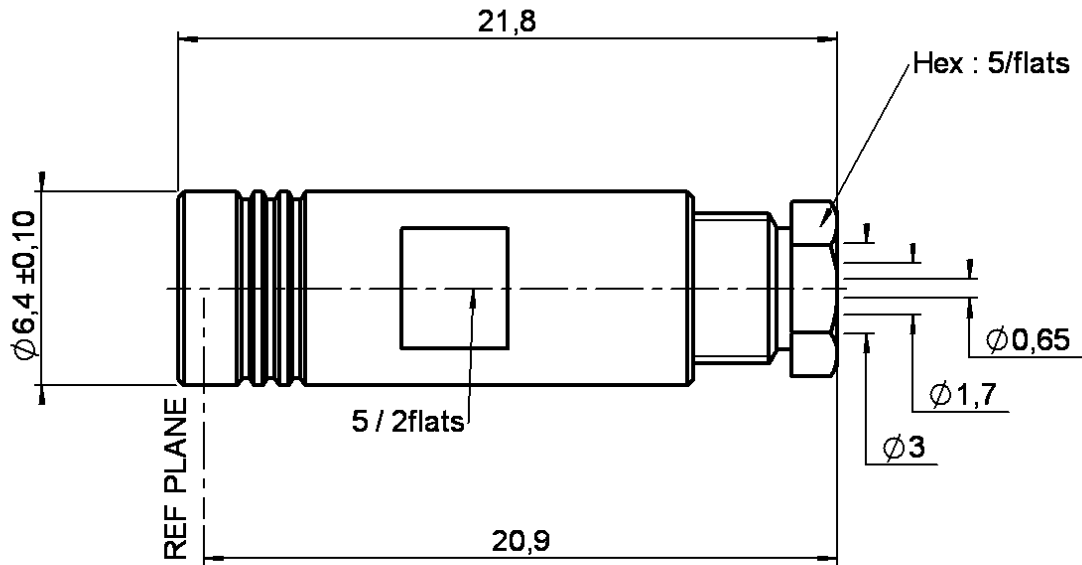


STRAIGHT PLUG CLAMP TYPE

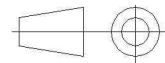
R114.005.000

CABLE 2.6/50+75 S

Series : SMB



All dimensions are in mm.



COMPONENTS	MATERIALS	PLATINGS (µm)
BODY	BRASS	GOLD 0.2 OVER NICKEL 2
CENTER CONTACT	BERYLLIUM COPPER	GOLD 1.3 OVER NICKEL2
OUTER CONTACT	BERYLLIUM COPPER	GOLD 0.5 OVER NICKEL 2
INSULATOR	PTFE	
GASKET	-	
OTHERS PARTS	BRASS	GOLD 0.2 OVER NICKEL 2
-	-	-
-	-	-

Issue : 0721 T

In the effort to improve our products, we reserve the right to make changes judged to be necessary.



RADIALL®

STRAIGHT PLUG CLAMP TYPE

R114.005.000

CABLE 2.6/50+75 S

Series : SMB

PACKAGING

Standard	Unit	Other
100	'W' option	Contact us

SPECIFICATION

QAE 06-02

CABLE ASSEMBLY

ELECTRICAL CHARACTERISTICS

Stripping	a	b	c	d	e	f
mm	2,50	0,00	4,50	4,50	1,20	0,00

Impedance	50	Ω
Frequency	0-4	GHz
VSWR	1.25 + 0,0400	x F(GHz) Maxi
Insertion loss	0.25	\sqrt{F} (GHz) dB Maxi
RF leakage	- (57)	- F(GHz) dB mini
Voltage rating	335	Veff Maxi
Dielectric withstanding voltage	1000	Veff mini
Insulation resistance	1000	M Ω mini

Assembly instruction :

Recommended cable(s)

- RG 316
- RG 187
- RG 188
- KX 22A
- RG 179
- RG 174
- KX 3B
- RG 174 FTX
- RG 174
- RG 316
- ECO 316
- K02252D
- ECO 316 D

MECHANICAL CHARACTERISTICS

Cable retention

- pull off **110** N mini
- torque **NA** N.cm

Center contact retention		
Axial force – Mating end	10	N mini
Axial force – Opposite end	10	N mini
Torque	NA	N.cm mini

Recommended torque		
Mating	NA	N.cm
Panel nut	NA	N.cm
Clamp nut	40	N.cm
A/F clamp nut	5,0000	mm

Mating life	500	Cycles mini
Weight	3,0000	g

TOOLING

Part Number	Description	Hexagon
.	.	.

ENVIRONMENTAL

Operating temperature	-65/+165	$^{\circ}$ C
Hermetic seal	NA	Atm.cm3/s
Panel leakage	NA	

OTHERS CHARACTERISTICS

Issue : 0721 T

In the effort to improve our products, we reserve the right to make changes judged to be necessary.

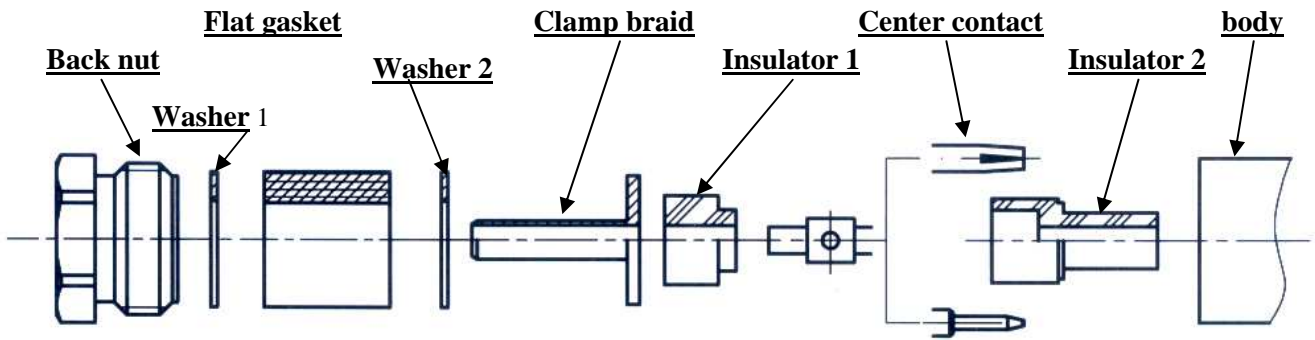


STRAIGHT PLUG CLAMP TYPE

CABLE 2.6/50+75 S

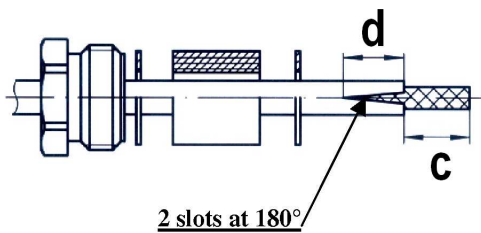
R114.005.000

Series : SMB



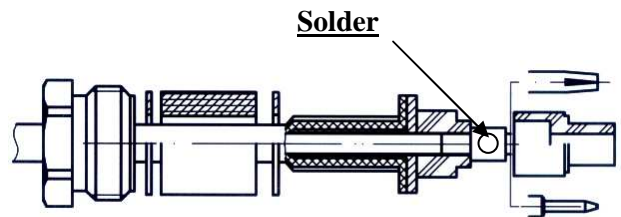
1

Slide the back nut, the washer 1, the flat gasket, the washer 2 onto the cable.
Strip the cable.
Cut 2 slots in the jacket if necessary.



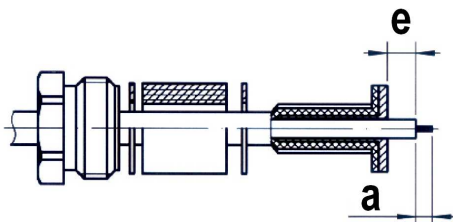
3

Slide the first insulator.
Slide the center contact and solder.
Slide the second insulator



2

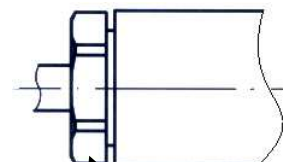
Slide the clamp braid sleeve.
Cut the braid flush with the clamp braid sleeve.
Strip off the diélectric.



4

Screw sub-assembly into the connector body with the adapted wrench.

Recommended coupling torque (see connector TDS).



Hex. : see connector TDS

Issue : 0721 T

In the effort to improve our products, we reserve the right to make changes judged to be necessary.



RADIALL®

Mouser Electronics

Authorized Distributor

Click to View Pricing, Inventory, Delivery & Lifecycle Information:

Radial:

[R114005000W](#)