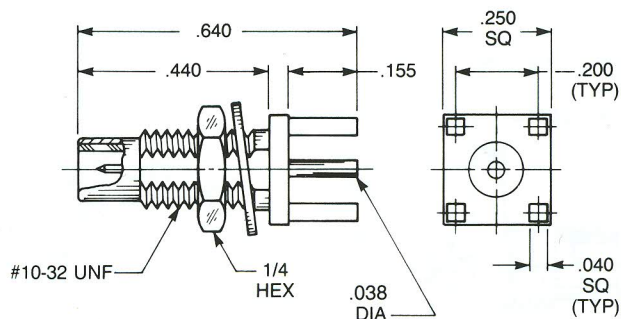




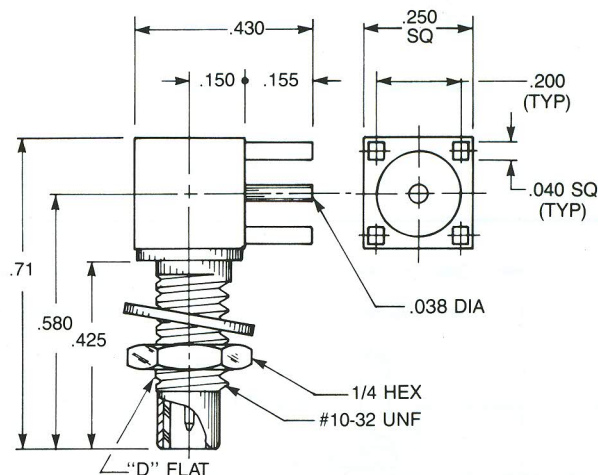
**Bulkhead Mounted
Straight Male Jack
P.C. Board Receptacle**

1109-1511-000 (Gold plated)
1109-7511-000 (Nickel plated)



**Bulkhead Mounted
Right Angle Male Jack
P.C. Board Receptacle**

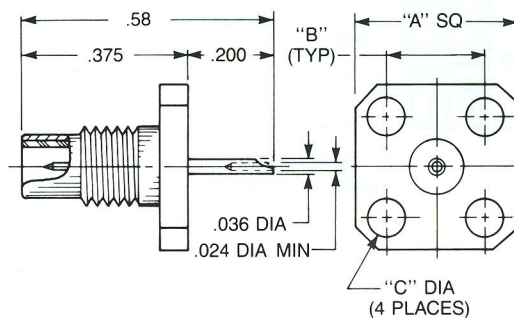
1110-1511-000 (Gold plated)
1110-7511-000 (Nickel plated)



**Straight Male
Panel Receptacle**

A sq.	B	C dia.
.500	.340	.102
1486-1511-000	(Gold plated)	
1486-7511-000	(Nickel plated)	

A sq.	B	C dia.
.375	.232	.093
1484-1511-000	(Gold plated)	
1484-7511-000	(Nickel plated)	



**Right Angle Male
Panel Receptacle**

A sq.	B	C dia.
.500	.340	.102
1490-1511-000	(Gold plated)	
1490-7511-000	(Nickel plated)	

A sq.	B	C dia.
.375	.232	.093
1488-1511-000	(Gold plated)	
1488-7511-000	(Nickel plated)	

