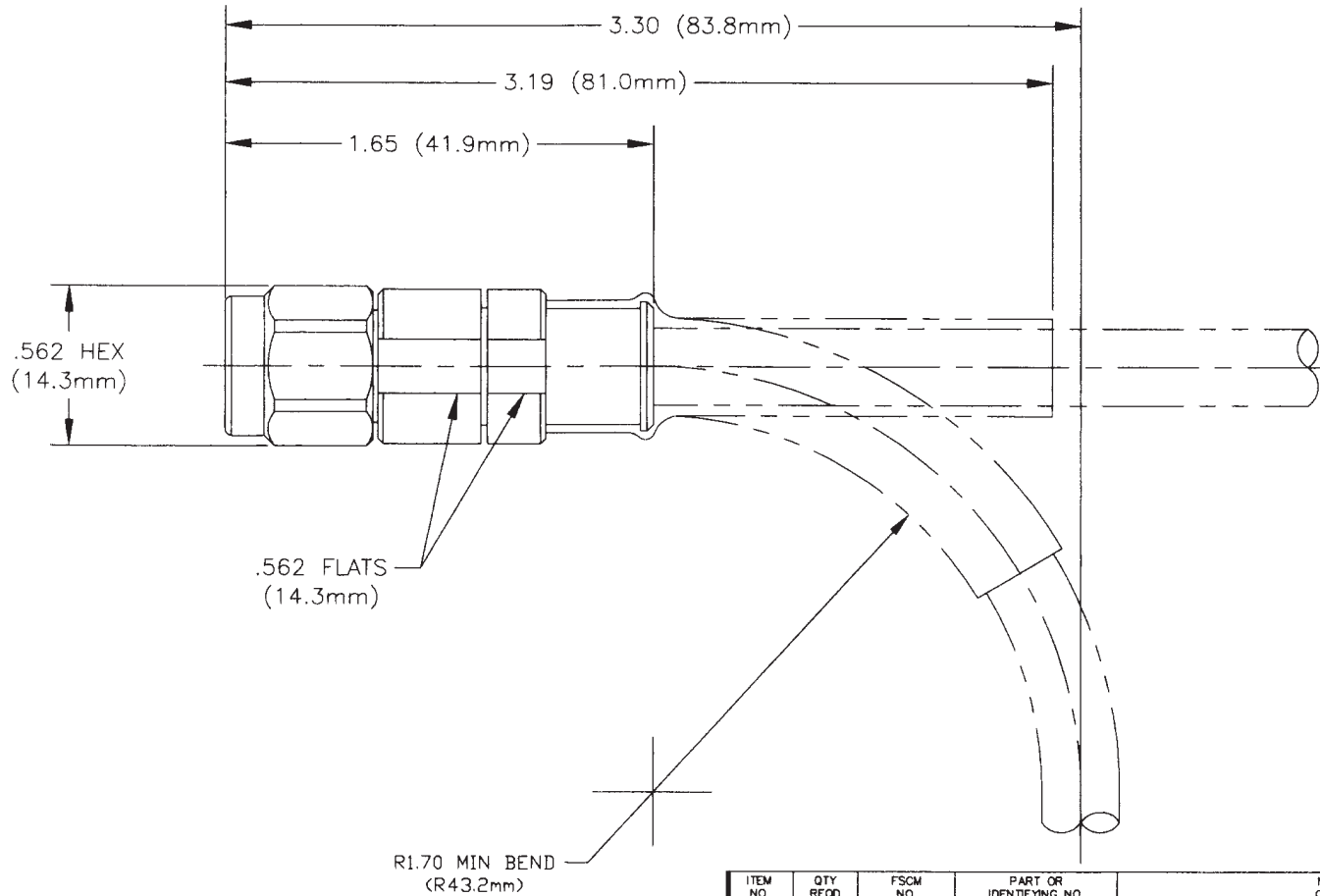


REVISIONS			
REV	DESCRIPTION	DATE	APPROVED
-	INITIAL RELEASE.	7-12-01	<i>B. Wyatt</i>



NOTES: UNLESS OTHERWISE SPECIFIED.

1. REF: XTNC-C-P-STR-HP305-PF-SC-16-XXXXXXX.

ITEM NO.	QTY REQD	FSCM NO.	PART OR IDENTIFYING NO.	NOMENCLATURE OR DESCRIPTION	MATERIAL SPECIFICATION	TYPE
PARTS LIST						
UNLESS OTHERWISE SPECIFIED DIMENSIONS ARE IN INCHES TOLERANCES ARE: FRACTIONS DECIMALS ANGLES ± .XX ± .01 ± 2° .XXX ± .005			CONTRACT NO.		 5550 E. McDOWELL RD. MESA, ARIZONA 85215 (602) 985-9000	
MATERIAL SEE PARTS LIST			SIGNATURES			
FINISH			DATE		TNC STR PLUG TO HP305 SIZE B FSCM NO. 60637 DWG NO. 20683-111 REV -- SCALE 2/1 ENF13 (02/14/97) SHEET 1 OF 2	
NEXT ASSY			DRAWN BY M. BONE 95/08/23			
USED ON			CHECKED BY <i>[Signature]</i> 06-04-05			
APPLICATION			APPROVED BY B. Wyatt 01/07/02			
			APPROVED BY <i>[Signature]</i> 7/5/01			