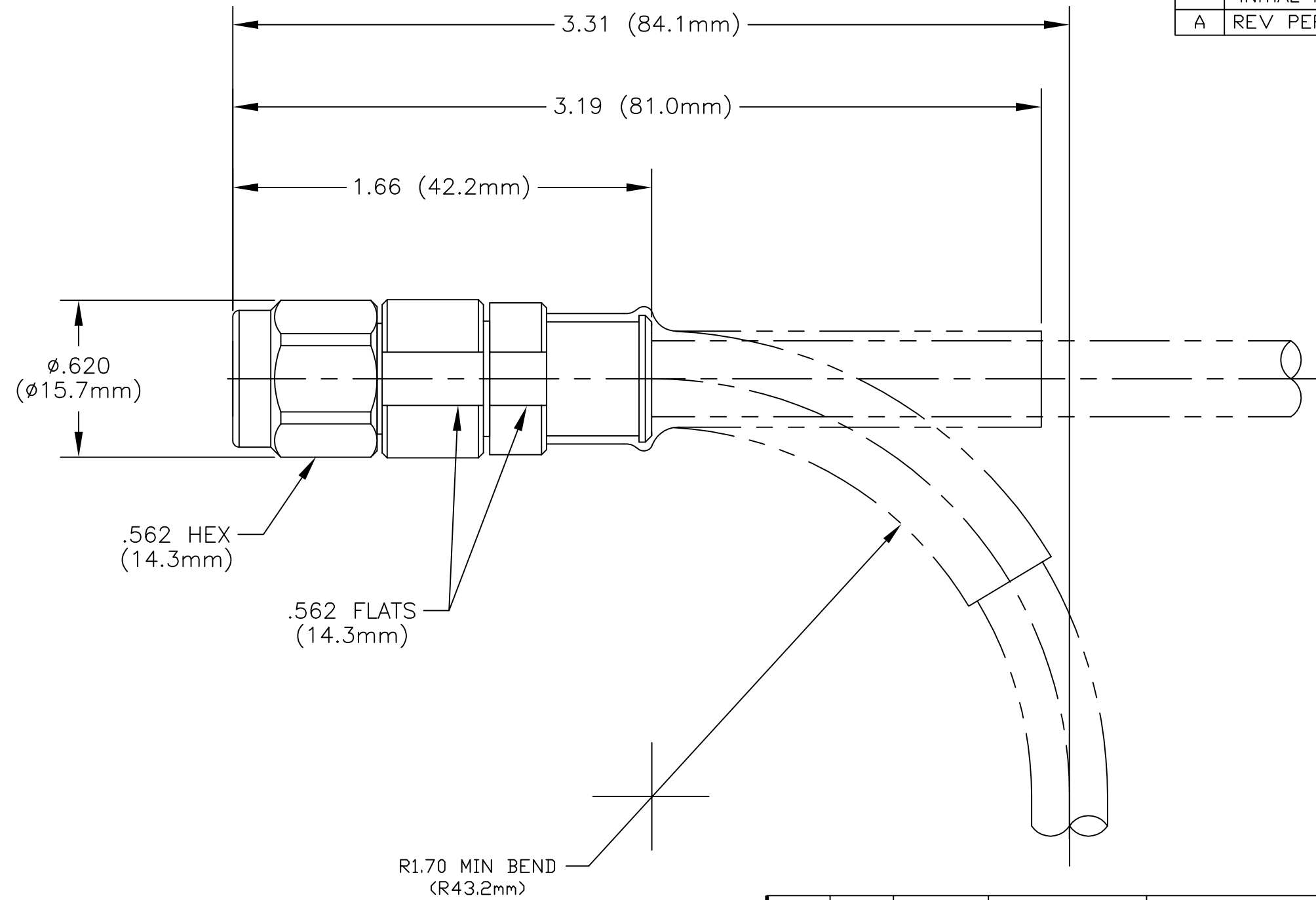


REVISIONS			
REV	DESCRIPTION	DATE	APPROVED
-	INITIAL RELEASE.	3/2/01	NAVARETTE
A	REV PER ECO 5742	9/27/01	NAVARETTE



NOTES: UNLESS OTHERWISE SPECIFIED.  
 1. REF: ETNC-C-P-STR-LA290-PF-SC-18-XXXXXXX.

NEXT ASSY	USED ON
APPLICATION	

ITEM NO.	QTY REQD	FSCM NO.	PART OR IDENTIFYING NO.	NOMENCLATURE OR DESCRIPTION	MATERIAL SPECIFICATION	TYPE
PARTS LIST						
UNLESS OTHERWISE SPECIFIED DIMENSIONS ARE IN INCHES TOLERANCES ARE: FRACTIONS DECIMALS ANGLES $\pm$ .XX $\pm$ .01 $\pm$ 2° $\pm$ .XXX $\pm$ .005			CONTRACT NO.		5550 E. McDOWELL RD. MESA, ARIZONA 85215 (602) 985-9000	
MATERIAL SEE PARTS LIST			SIGNATURES		DATE	
FINISH			DRAWN BY D. SMITH		01/02/08	
DO NOT SCALE DRAWING			CHECKED BY B. CLYATT		01/02/22	
			APPROVED BY B. CLYATT		01/02/22	
			APPROVED BY M. GIEHGER		01/02/23	
SIZE B		FSCM NO. 60637		DWG NO. 21043-111		REV A
SCALE 2/1		ENF13 (02/14/97)			SHEET 1 OF 2	