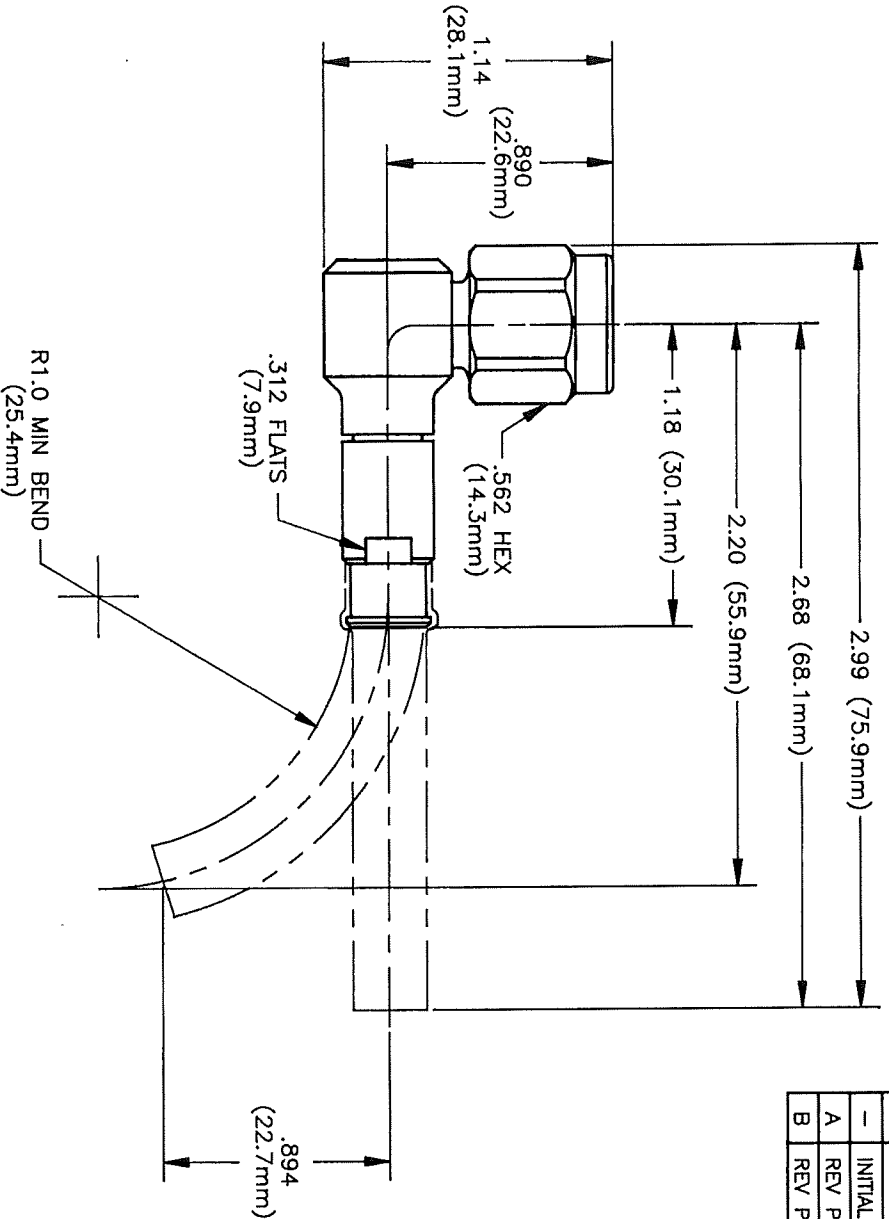


DWG NO. 20506-111 SH 1 REV B


REVISIONS

REV	DESCRIPTION	DATE	APPROVED
-	INITIAL RELEASE.	96/01/18	R. JOHNSON
A	REV PER ECO 3823.	94/07/15	L. PULOTU
B	REV PER ECO 4066.	95/03/30	B. NOTHUM



NOTES: UNLESS OTHERWISE SPECIFIED.
 1. REF: ETNC-C-P-LRA-HP190-PF-SC-18-XXXXXX.

APPLICATION	USED ON
NEXT ASSY	

ITEM NO.	QTY	REQD	FPOD NO.	PART OR IDENTIFYING NO.	PARTS LIST		NOMENCLATURE OR DESCRIPTION	MATERIAL SPECIFICATION	TYPE
UNLESS OTHERWISE SPECIFIED DIMENSIONS ARE IN INCHES TOLERANCES ARE: DECIMALS ±.01 ANGLES ±2°					CONTRACT NO.				
MATERIAL: SEE PARTS LIST					SIGNATURES				
FINISH: SEE PARTS LIST					DATE				
DO NOT SCALE DRAWING					DRAWN BY: M. BONE		95/07/13		
					CHECKED BY: B. NOTHUM		99/01/16		
					APPROVED BY: S. HARDIN		99/01/16		
					APPROVED BY: D. CIRIAC		99/01/16		
					 5550 E. McDOWELL RD. MESA, ARIZONA 85215 (602) 985-9000				
					ETNC LRA TO HP190				
					SCALE: 2/1		SEM 02-09 (9/89)		SHEET 1 OF 2
					SIZE: FPOD NO.		DWG NO.		REV
					B 60637		20506-111		B