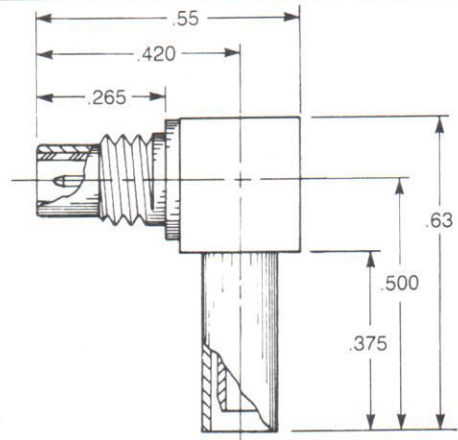


Right Angle Male Cable Jack

Crimp type for flexible cable:
 1141-1521-0XX (Gold plated)
 1141-7521-0XX (Nickel plated)



Substitute the appropriate cable group for 'XX':		
02	RG178, RG196, M17/93, M17/169	09 .141" semi-rigid, RG402, M17/130
03	RG174, RG179, RG316, M17/113, M17/119, M17/172, M17/173	10 .085" semi-rigid, RG405, M17/133
05	RG178DS, RG196DS	19 RG174DS, RG316DS, M17/152, Times RD316

AEP New Haven, CT
 203/776-2813

www.aepconnectors.com