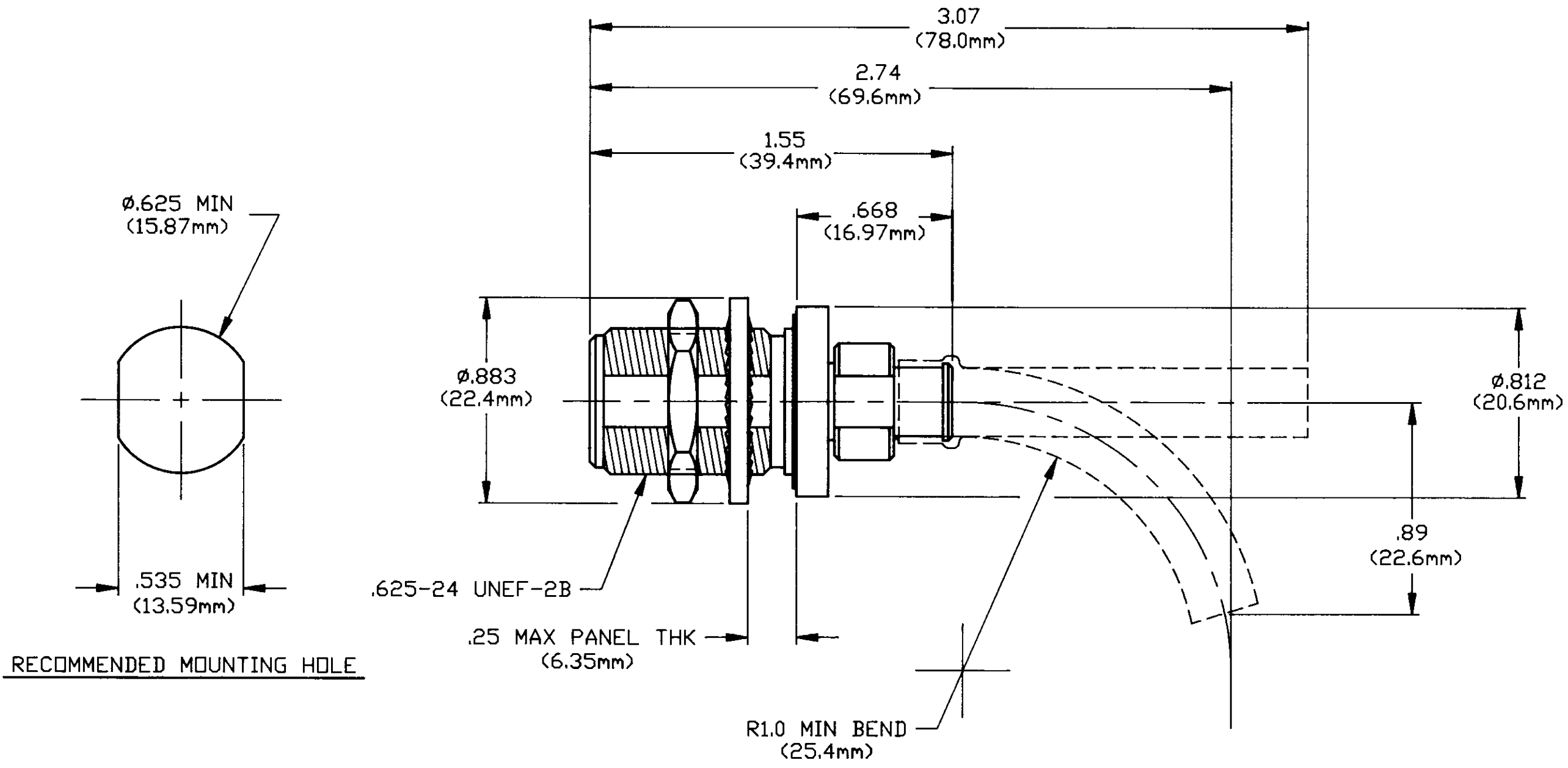


REVISIONS			
REV	DESCRIPTION	DATE	APPROVED
-	INITIAL RELEASE.	94/03/21	L. PULOTU
A	REV PER ECO 3823.	94/07/15	L. PULOTU



NOTES: UNLESS OTHERWISE SPECIFIED.
 1. REF: XXXN-C-J-BHD-HP190-PF-SC-20-XXXXXXX.

NEXT ASSY	USED ON
APPLICATION	

ITEM NO.	QTY REQD	FSCM NO.	PART OR IDENTIFYING NO.	NOMENCLATURE OR DESCRIPTION	MATERIAL SPECIFICATION	TYPE
PARTS LIST						
UNLESS OTHERWISE SPECIFIED DIMENSIONS ARE IN INCHES TOLERANCES ARE: FRACTIONS DECIMALS ANGLES ± .XX ± .01 ± 2° ± .00X ± .005			CONTRACT NO.		5550 E. McDOWELL RD. MESA, ARIZONA 85215 (602) 985-9000	
MATERIAL SEE PARTS LIST			SIGNATURES			
FINISH			DRAWN BY G. BISSONNETTE		93/12/09	
			CHECKED BY S. HARDIN		94/03/21	
			APPROVED BY S. HARDIN		94/03/21	
			APPROVED BY C.W. MENNERICK		94/03/21	
DO NOT SCALE DRAWING				SIZE B	FSCM NO. 60637	DWG NO. 20514-111
				SCALE 2/1	SEM 02-09 (9/89)	REV A
				SHEET 1 OF 2		