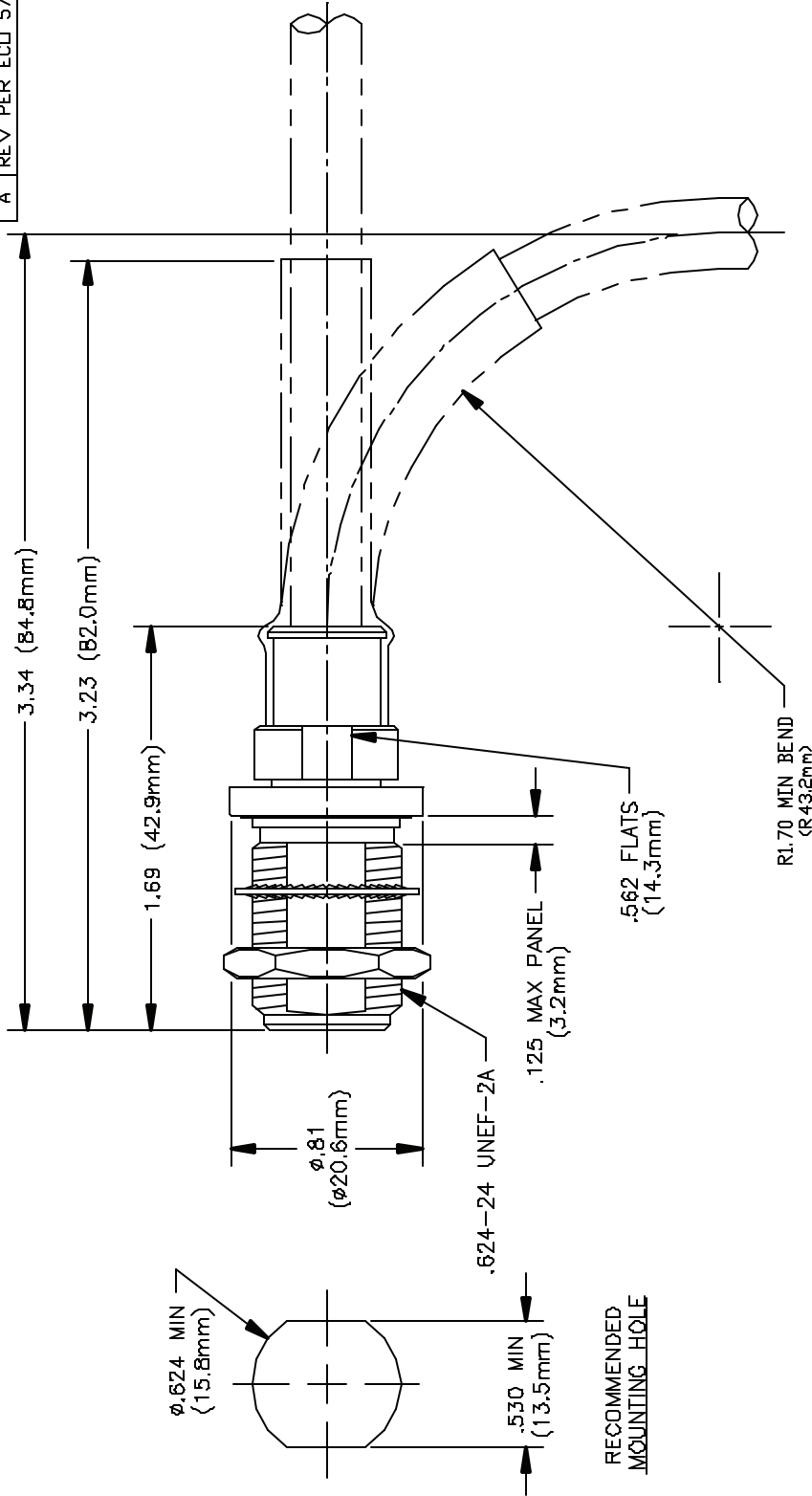


DWG NO. 21039-111 SH 1 REV-A

REVISIONS			
REV	DESCRIPTION	DATE	APPROVED
-	INITIAL RELEASE	3/2/01	NAVARETTE
A	REV PER ECO 5742	9/27/01	NAVARETTE



ITEM NO.	QTY	RECD	FRON NO.	PART OR IDENTIFYING NO.	NOMENCLATURE OR DESCRIPTION	MATERIAL SPECIFICATION	TYPE
PARTS LIST							
UNLESS OTHERWISE SPECIFIED DIMENSIONS ARE IN INCHES PREFERENCES ARE: TOLERANCES ARE: .XX ± .01 .XXX ± .005							
CONTRACT NO.							
DRAWN BY: D. SMITH 01/02/07							
CHECKED BY: B. CLYATT 01/02/02							
APPROVED BY: B. CLYATT 01/02/02							
APPROVED BY: M. DEGENER 01/02/03							
MATERIAL: SEE PARTS LIST							
FINISH:							
NEXT ASSY: USED ON:							
APPLICATION:							

Semflex Inc
 5550 E. McDOWELL RD.
 MESA, ARIZONA 85215
 (602) 965-8000

N TYPE BHD JACK TO LA290

SCALE: 2/1 ENF13 (02/14/97)

SIZE: B PERM NO. 60637 DWG NO. 21039-111 REV A

SHEET 1 OF 2

NOTES: UNLESS OTHERWISE SPECIFIED.
 1. REF: XXXN-C-V-BHD-LA290-PF-SC-18-XXXXXXX.